

TAPMATE TOO™

3/4" TO 2" RANGE OF CUTS

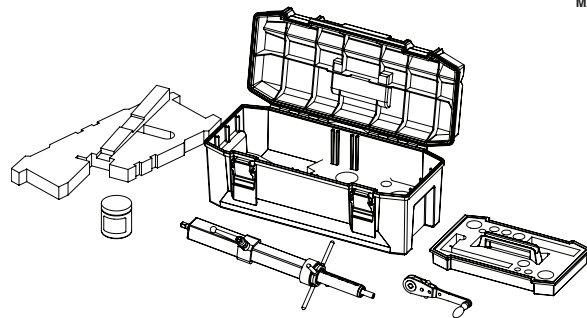
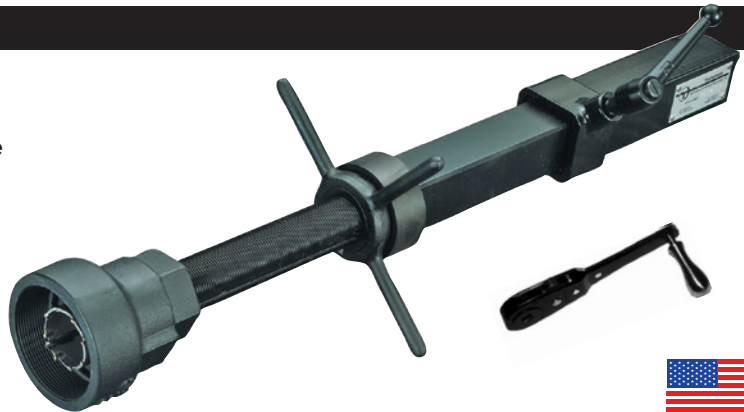


Transmate

a Division of Romac Industries, Inc.

MATERIAL SPECIFICATIONS

- Weighs 10 lbs., allowing easy handling and operation
- Safety brake provides controlled boring bar release on high pressure cuts
- Sturdy construction with more than 12" of boring bar travel
- Taps any pipe commonly used in underground water mains
- Simple construction allows in-house maintenance and repair



TO ORDER:

1. Order Base Machine
2. Order Cutters or Spade Bits per desired pipe type and size
3. Order Adapters per size and corp outlet type
4. Order Arbors per size
5. Select Power Option.

ITEM NUMBER	DESCRIPTION	LIST PRICE
351-00	Base Machine and Tool Box	\$1,721.26
Included with Tapmate Too Machine:		
351-60-1	Hand Ratchet	included
351-61	Tool Box	included
353-10-1	Tapping Compound	included

POWER OPTIONS YOU CHOOSE HOW TO POWER YOUR TAPMATE TOO...

TapMate Too Hydraulic Drive

*372-351

SEE PAGE TM-29



Ridgid 690 Electric Drive

SEE PAGE TM-28



ITEM NUMBER	DESCRIPTION	LIST PRICE
*372-351	TapMate Too Hydraulic Drive System complete	\$5,541.32
*372-351-01	Base Unit	included
373-351	Ridgid 690 Electric Drive with 1/2" Adapter for TM-Too	\$3,075.52 included
370-70	GF-15 Ground Fault Interrupter Plug (required)	131.61

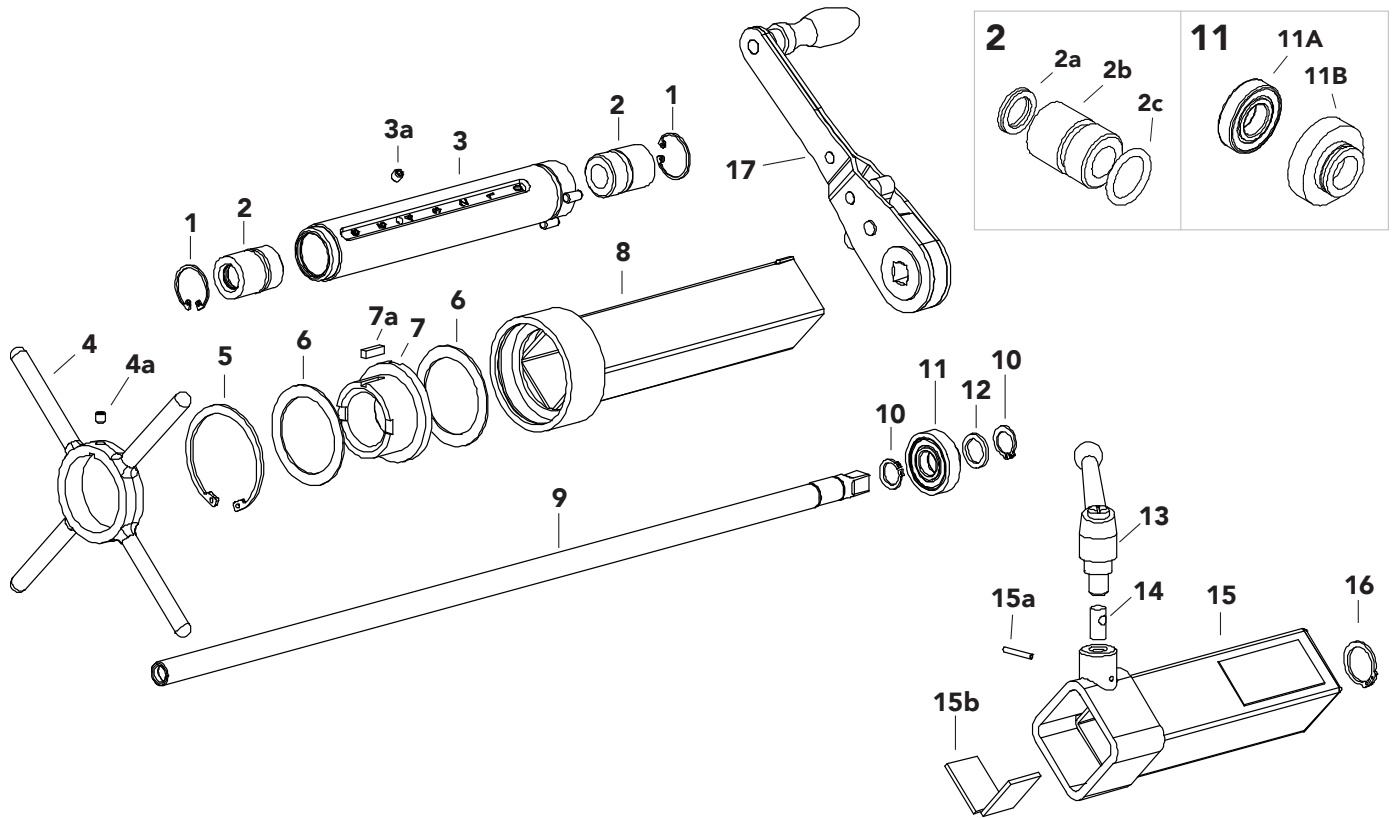
*Considered Hazardous Material When Shipped by Air. For other power options, contact Romac Industries, Inc.



Transmate

a Division of Romac Industries, Inc.

TAPMATE TOO™ PARTS LIST



REF. NUMBER	DESCRIPTION	ITEM NUMBER	LIST PRICE
1	Lead Tube Snap Ring (2 required)	351-23-54	\$2.57 ea.
2	Lead Tube Bushing Complete (includes Bushing, Shaft Seal,O-Ring)	351-22-2A	80.64
2a	Poly Pak Shaft Seal	351-57-2	6.70
2b	Lead Tube Bushing	351-22-2	73.88
2c	Lead Tube Bushing O-Ring	351-57-1-62	1.32
3	Lead Tube	351-23	404.32
3a	Lead Tube Set Screw	351-23-512	1.32
4	Handle for Lead Nut	351-29-1	162.66
4a	Arbor & Handle Set Screw	351-51-2	1.32
5	Lead Nut Snap Ring	351-24-54	4.02
6	Lead Nut Nylatron Washers (2 required)	351-24-531	15.87 ea.
7	Lead Nut	351-24	162.66
7a	Lead Nut Key	351-24-66	5.19
8	Thrust Tube	351-32	131.90
9	Shaft	351-20	198.91
10	Shaft End Snap Ring (2 required)	351-20-54	2.57 ea.
11	Shaft End Bushing Complete	351-22-1A	120.90
11a	Shaft End Bearing	351-20-56	53.71
11b	Shaft End Bushing	351-22-1	88.67
12	Shaft End Nylatron Washer	351-20-531	9.42
13	Brake Handle	351-29-2	40.34
14	Brake Pin	351-50-2	33.12
15	Brake Tube (includes Brake Pads)	351-30	296.87
15a	Roll Pin	351-50-3	1.32
15b	Brake Pad (2 required)	351-30-1	15.89
16	Shaft End Bushing Snap Ring	351-22-54	2.57 ea.
17	Ratchet Wrench	351-60-1	219.46
NOT ILLUSTRATED			
	Toolbox	351-61	202.13

TRANSMATE

TAPMATE TOO™ ACCESSORIES

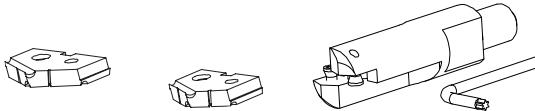


Transmate

a Division of Romac Industries, Inc.

SPADE BITS

The spade bit provides a low cost alternative to the traditional twist drill bit, pilot and holesaw/cutters. Spade bits are attached to the spade bit holder using the two Torx™ screws provided. Spade bits are available in the 3/4" nominal (23/32" actual), and the 1" nominal (7/8" actual) sizes.



ITEM NUMBER	DESCRIPTION	LIST PRICE
351-03-106	3/4" Spade Bit (actual OD 23/32")	\$76.85
351-03-108	1" Spade Bit (actual OD 7/8")	80.64
351-03-12	Spade Bit Holder (includes Torx Key Wrench and Screws; required for Spade Bit use)	275.38
351-60-5	Torx Key Wrench	8.08
351-03-512	Spade Bit Screw (2 required)	5.85 ea.

HOLESAWS

Five types of Holesaws are available in 5 sizes

- The carbide cutter is best for use on A/C, Cast Iron, or Ductile Iron pipe.
- The HSS carbide tipped Holesaw works well on ductile iron, cast iron and A/C.
- The Bi-Metal holesaw is best for use with Steel Pipe, but may be used for ductile, cast iron and A/C as well.
- The PVC Cutter is necessary for cutting into plastic pipe.
- Special deep throated cutters for HDPE (see page TM-7) are also available.

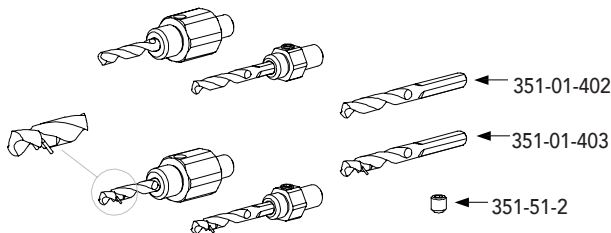


HOLESAW SIZE CHART			
NOMINAL	O.D.	NOMINAL	O.D.
3/4"	11/16"	1 1/2"	1 3/8"
1"	7/8"	2"	1 3/4"
1 1/4"	1 1/8"		

ITEM NUMBER	DESCRIPTION	LIST PRICE
For Ductile, Cast Iron & A/C		
351-01-106	3/4" Carbide Cutter	\$126.31
351-01-108	1" Carbide Cutter	142.38
351-01-110	1 1/4" Carbide Cutter	149.62
351-01-112	1 1/2" Carbide Cutter	161.23
351-01-116	2" Carbide Cutter	217.64
For Ductile, Cast Iron & A/C		
351-01-406	3/4" HSS Carbide Tip Holesaw	44.33
351-01-408	1" HSS Carbide Tip Holesaw	52.14
351-01-410	1 1/4" HSS Carbide Tip Holesaw	57.28
351-01-412	1 1/2" HSS Carbide Tip Holesaw	65.88
351-01-416	2" HSS Carbide Tip Holesaw	73.78
For Ductile, Cast Iron, A/C & Steel		
351-01-506	3/4" Bimetal Holesaw	24.94
351-01-508	1" Bimetal Holesaw	N/A
351-01-510	1 1/4" Bimetal Holesaw	29.54
351-01-512	1 1/2" Bimetal Holesaw	30.91
351-01-516	2" Bimetal Holesaw	40.34
For PVC Only		
351-01-206	3/4" PVC Cutter	131.40
351-01-208	1" PVC Cutter	134.37
351-01-210	1 1/4" PVC Cutter	147.82
351-01-212	1 1/2" PVC Cutter	161.23
351-01-216	2" PVC Cutter	174.68

HOLESAW ARBORS

The arbors mate the end of the shaft to the holesaw/cutter being used. Two arbors are available. The Small Arbor accommodates 3/4" - 1 1/4" cuts. The Large Arbor is necessary for 1 1/2" and 2" cuts.



ITEM NUMBER	DESCRIPTION	LIST PRICE
351-14-1	Small Holesaw Arbor, includes Arbor Pilot Drill 351-01-402 (for 3/4", 1" and 1 1/4" holesaws/cutters)	\$86.02
351-14-2	Large Holesaw Arbor, includes Arbor Pilot Drill 351-01-402 (for 1 1/2" and 2" holesaws/cutters)	134.37
351-01-402	1/4" Arbor Pilot Drill (for Small and Large Holesaw Arbor)	17.46
351-01-403	1/4" Arbor Pilot Drill w/Retaining Spring	32.00
351-51-2	Arbor & Handle Set Screw	1.32
351-14-5	Small Holesaw Arbor, includes Arbor Pilot Drill 351-01-403 (for 3/4", 1" and 1 1/4" holesaws/cutters)	100.55
351-14-6	Large Holesaw Arbor, includes Arbor Pilot Drill 351-01-403 (for 1 1/2" and 2" holesaws/cutters)	148.89

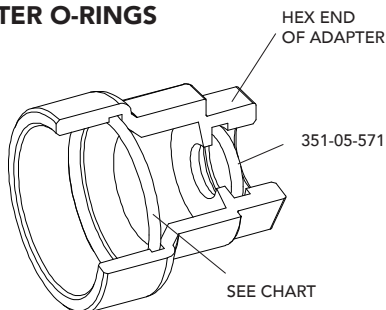


TAPMATE TOO™ ACCESSORIES

ADAPTERS

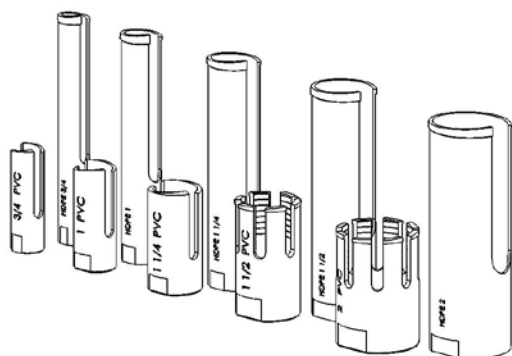
ITEM NUMBER	DESCRIPTION	LIST PRICE	ITEM NUMBER	DESCRIPTION	LIST PRICE
<i>Note: Adapter thread description describes thread machined on the adapter</i>					
351-05-406	3/4" Female Iron Pipe Adapter	\$138.53	351-05-606	3/4" Male Iron Pipe Adapter	\$138.53
351-05-408	1" Female Iron Pipe Adapter	138.53	351-05-608	1" Male Iron Pipe Adapter	138.53
351-05-410	1 1/4" Female Iron Pipe Adapter	138.53	351-05-610	1 1/4" Male Iron Pipe Adapter	138.53
351-05-412	1 1/2" Female Iron Pipe Adapter	138.53	351-05-612	1 1/2" Male Iron Pipe Adapter	138.53
351-05-416	2" Female Iron Pipe Adapter	138.53	351-05-616	2" Male Iron Pipe Adapter	138.53
351-05-420	2 1/2" Female Iron Pipe Adapter	138.53	351-05-706	3/4" Fine Thread Compression Adapter	138.53
351-05-506	3/4" Coarse Thread Compression Adapter	138.53	351-05-708	1" Fine Thread Compression Adapter	138.53
351-05-508	1" Coarse Thread Compression Adapter	138.53	351-05-710	1 1/4" Fine Thread Compression Adapter	138.53
351-05-510	1 1/4" Coarse Thread Compression Adapter	138.53	351-05-712	1 1/2" Fine Thread Compression Adapter	138.53
351-05-512	1 1/2" Coarse Thread Compression Adapter	138.53	351-05-716	2" Fine Thread Compression Adapter	138.53
351-05-516	2" Coarse Thread Compression Adapter	138.53			

REPLACEMENT ADAPTER O-RINGS



ITEM NUMBER	DESCRIPTION	LIST PRICE
351-05-571	TT Adapter O-Ring (All TT Adapters)	\$2.69
351-05-5571-1	TT Adapter O-Ring 3/4" Coarse Thread Compression	2.69
351-05-5571-2	TT Adapter O-Ring 1" Coarse Thread Compression	2.69
351-05-5571-3	TT Adapter O-Ring 1 1/4" Coarse Thread Compression	2.69
351-05-5571-4	TT Adapter O-Ring 1 1/2" Coarse Thread Compression	2.69
351-05-5571-5	TT Adapter O-Ring 2" Coarse Thread Compression	2.69
351-05-706-57	TT Adapter O-Ring 3/4" Fine Thread Compression	2.69
351-05-708-57	T Adapter O-Ring 1" Fine Thread Compression	2.69
351-05-710-57	TT Adapter O-Ring 1 1/4" Fine Thread Compression	2.69
351-05-712-57	TT Adapter O-Ring 1 1/2" Fine Thread Compression	2.69
351-05-716-57	TT Adapter O-Ring 2" Fine Thread Compression	2.69

HDPE ADAPTERS & HOLESAWS



NOTE: HDPE cutters require HDPE adapters. This is due to the increased overall length (illustrated above with PVC cutters)

ITEM NUMBER	DESCRIPTION	LIST PRICE
<i>Note: Adapter thread description describes thread machined on the adapter</i>		
351-05-106	3/4" HDPE Female Iron Pipe Adapter	\$380.24
351-05-108	1" HDPE Female Iron Pipe Adapter	381.94
351-05-110	1 1/4" HDPE Female Iron Pipe Adapter	390.43
351-05-112	1 1/2" HDPE Female Iron Pipe Adapter	405.16
351-05-116	2" HDPE Female Iron Pipe Adapter	418.76
351-05-906	3/4" HDPE Coarse Thread Compression Adapter	380.24
351-05-908	1" HDPE Coarse Thread Compression Adapter	381.94
351-05-910	1 1/4" HDPE Coarse Thread Compression Adapter	390.43
351-05-912	1 1/2" HDPE Coarse Thread Compression Adapter	405.16
351-05-916	2" HDPE Coarse Thread Compression Adapter	418.76
351-05-206	3/4" HDPE Male Iron Pipe Adapter	380.24
351-05-208	1" HDPE Male Iron Pipe Adapter	381.94
351-05-210	1 1/4" HDPE Male Iron Pipe Adapter	390.43
351-05-212	1 1/2" HDPE Male Iron Pipe Adapter	405.16
351-05-216	2" HDPE Male Iron Pipe Adapter	418.76
351-01-906	3/4" HDPE Cutter	447.29
351-01-908	1" HDPE Cutter	449.85
351-01-910	1 1/4" HDPE Cutter	458.32
351-01-912	1 1/2" HDPE Cutter	466.68
351-01-916	2" HDPE Cutter	475.29

TRANSMATE