

M-1™ PIPE DRILLING MACHINE

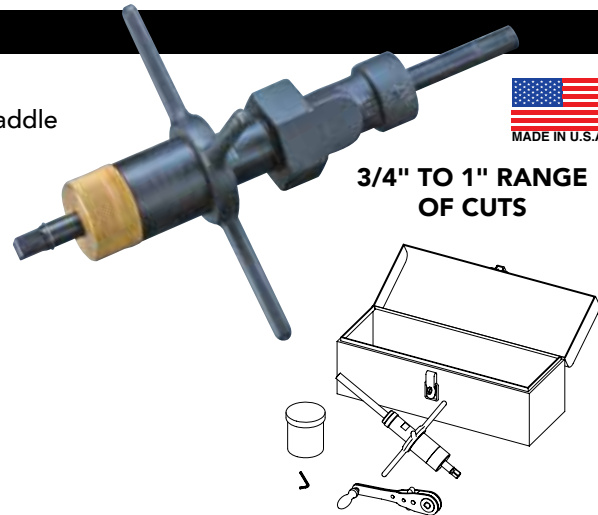


Transmate

a Division of Romac Industries, Inc.

MATERIAL SPECIFICATIONS

- Weighs approximately 10 lbs and easy to handle, 14" long
- 3/4" to 1" range of cuts using a separate corporation stop and saddle
- Cuts all types of water mains, wet and dry
- Easy to set up and use
- Uses TapMate Too adapters, arbor, shell cutters and ratchet.



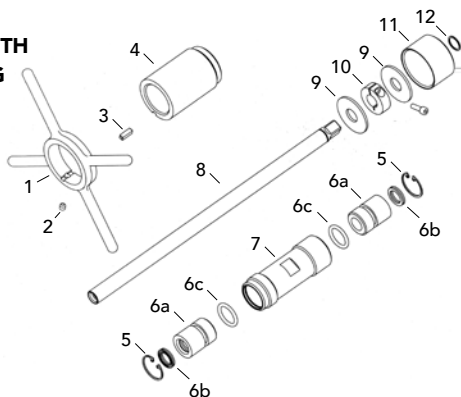
3/4" TO 1" RANGE OF CUTS

TO ORDER:

1. Order Base Machine
2. Order Cutters or Spade Bits per desired cut size and pipe type
3. Order Adapters per size and corp outlet type
4. Order Small Holesaw Arbor
5. Power Option if desired (see TM-28).

ITEM NUMBER	DESCRIPTION	LIST PRICE
352-00	M-1 Drilling Machine	\$1,286.56
Included with M1 Machine:		
351-60-1	Ratchet Wrench	included
352-60-3	5/32" Allen Wrench	included
352-61	Tool Box	included
353-10-1	Tapping Compound	included
HOLESAWS (require Small Holesaw Arbor)		
For Ductile, Cast Iron & A/C		
351-01-106	3/4" Carbide Cutter (actual OD 11/16")	126.31
351-01-108	1" Carbide Cutter (actual OD 7/8")	142.38
351-01-406	3/4" HSS Carbide Tip Holesaw (actual OD 11/16")	44.33
351-01-408	1" HSS Carbide Tip Holesaw (actual OD 7/8")	52.14
351-01-506	3/4" Bimetal Holesaw ¹	24.94
351-01-508	1" Bimetal Holesaw ¹	28.22
For PVC Only		
351-01-206	3/4" Cutter for PVC (actual OD 11/16")	131.40
351-01-208	1" Cutter for PVC (actual OD 7/8")	134.37
SPADE BITS		
351-03-12	Spade Bit Holder	275.38
351-03-106	3/4" Spade Bit (actual OD 11/16")	76.85
351-03-108	1" Spade Bit (actual OD 23/32")	80.64
351-60-5	Torx Key Wrench	8.08

M-1 PARTS INCLUDED WITH M1 DRILLING MACHINE



ITEM NUMBER	DESCRIPTION	LIST PRICE
ADAPTERS		
351-05-406	3/4" Female Iron Pipe Adapter	\$138.53
351-05-408	1" Female Iron Pipe Adapter	138.53
351-05-410	1 1/4" Female Iron Pipe Adapter ²	138.53
351-05-506	3/4" Coarse Thread Compression Adapter	138.53
351-05-508	1" Coarse Thread Compression Adapter	138.53
351-05-510	1 1/4" Coarse Thread Compression Adapter ²	138.53
351-05-606	3/4" Male Iron Pipe Adapter	138.53
351-05-608	1" Male Iron Pipe Adapter	138.53
351-05-706	3/4" Fine Thread Compression Adapter	138.53
351-05-708	1" Fine Thread Compression Adapter	138.53
351-05-710	1 1/4" Fine Thread Compression Adapter ²	138.53
<i>Special adapters can be made upon request</i>		
ARBOR		
351-14-1	Small Holesaw Arbor, (includes Arbor Pilot Drill 351-01-402) (use with 3/4" and 1" cutters / holesaws)	86.02
351-01-402	1/4" Arbor Pilot Drill (for small holesaw arbors) included w/ large & small arbors	17.46
POWER OPTION		
373-351	Ridgid 690 Electric Drive w/1/2" sq. adapter	3,075.52
370-70	GF-15 Ground Fault Interrupter Plug (required)	131.61
TAPPING COMPOUND		
353-10-1	Tapping Compound	33.90
353-10-3	Tapping Compound / Case (12)	390.95

² For use on 1" Corporations with 1-1/4" outlet threads.

REF. NO.	DESCRIPTION	ITEM NUMBER	LIST PRICE
1	Handle for Lead Nut	351-29-1	\$162.66
2	Arbors & Handle Set Screw	351-51-2	1.32
3	Lead Nut Key	351-24-66	5.19
4	M1 Feeder	352-24	137.12
5	Lead Tube Snap Ring	351-23-54	2.57
6	Lead Tube Bushing Complete	351-22-2A	80.64
6a	Lead Tube Bushing	351-22-2	73.88
6b	Poly Pak Seal	351-57-2	6.70
6c	Lead Tube Bushing O-Ring	351-57-1-62	1.32
7	Body	352-23	177.10
8	Shaft, Main	352-20	167.60
9	Thrust Washer	352-53-1	17.77
10	Clamp	352-63	29.63
11	Bronze Cap	352-35	141.92
12	Retaining Snap Ring	352-54	2.95

Drill Holders, Drills, Holesaws, PVC Adapters, Cutter Adapters, Pilot Drills and Machine Adapters are ordered separately (see above).

TRANSMATE