

IC501 INSULATING COUPLING



MATERIAL SPECIFICATIONS

CENTER RINGS: Ductile iron per ASTM A 536, Grade 65-45-12. Yellow shopcoat. Epoxy and special coatings available on request.

END RINGS: Ductile iron per ASTM A 536, Grade 65-45-12. Color coded RED for O.D. Stl. and Std. Stl., BLACK for cast iron and YELLOW for A/C.

GASKETS: SBR per ASTM D 2000 MBA 710, compounded for water and sewer service. Other compounds available on request.

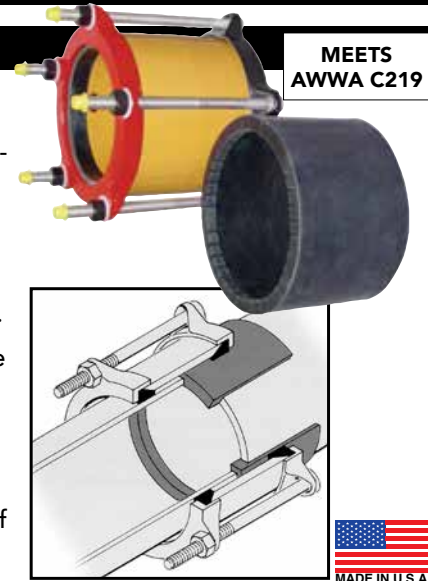
BOLTS AND NUTS: 5/8" high strength, low alloy steel trackhead bolts. N.C. roll thread and heavy hex nuts, corrosion-

resistant steel. Steel meets AWWA C-111-80 composition specifications. Other materials or special coatings available on request.

INSULATING BOOT: Ethylene Propylene Diene Methylene (EPDM) compounded for water and sewer service and insulating properties. Length: 5 1/2".

OPTIONS: For 14" and larger, see Page 3-24. For other options and specifications, see Page 3-25.

USE: Romac insulating couplings effectively stop electrolytic action by isolating one pipe from the other by means of an insulating boot.



NOM. PIPE SIZE	O.D. (inches)	GASKET TO USE FOR IRON PIPE SIZE	GASKET TO USE FOR DUCTILE PIPE SIZE	BOOT ONLY		COMPLETE	
				LIST PRICE	APPROX. WT.	LIST PRICE	APPROX. WT.
4"	4.50 4.80	4.80 - 5.00 —	— 4.74 - 5.10	\$31.94	.75 #	\$172.19	17.75 #
6"	6.625 6.90	6.90 - 7.10 —	— 7.15 - 7.35	40.71	1.10 #	231.60	26.10 #
8"	8.625 9.05	8.60 - 9.06 —	— 8.99 - 9.40	51.84	1.20 #	293.67	33.20 #
10"	10.75 11.10	Special ¹ —	— 10.89 - 11.40	82.06	1.75 #	415.75	63.75 #
12"	12.75 13.20	Special ¹ —	— 13.15 - 13.55	92.57	2.10 #	493.88	73.10 #
14"	14.00	14.03 - 14.40	—	101.68	2.25 #	797.02	100.25 #

¹ Special, not common stock gaskets. Price on application.

Note: Romac recommends 7 inch long center ring when booting both pipe ends, contact Romac for price and availability. Contact Romac for other available sizes and applications.

IMPORTANT: Insulating boots add .3" to the O.D. of the pipe, and must be considered when ordering IC501 couplings.

EXAMPLE: For an insulating coupling to fit 6" D.I., order **IC501-7.35 x 7.10**, with boot to fit 6.90. If ordering insulating boot only, specify O.D.

Flexible couplings do not provide protection against possible pullout of pipe ends in unrestrained conditions.

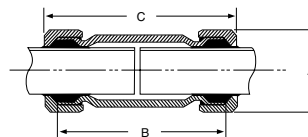
STYLE 702 COMPRESSION COUPLING

MATERIAL SPECIFICATIONS

CASTINGS: End Rings and Center body are cast from ductile (nodular) iron, meeting or exceeding ASTM A 536.

GASKET: NBR (nitrile butadiene rubber) compounded for water and sewer service, also good for hydrocarbons and other oils.

FINISH: Galvanized



NOM. PIPE SIZE	O.D. (inches)	CATALOG NUMBER	LIST PRICE	CARTON QTY.	APPROX. WT. (lbs.)	OVERALL DIMENSIONS		
						A	B	C
1/2"	0.84	702 - 084	\$31.65	12	.95 #	1.72"	3.50"	4.44"
3/4"	1.05	702 - 105	33.88	12	1.05 #	1.97"	3.72"	4.50"
1"	1.32	702 - 132	39.06	12	1.45 #	2.31"	4.00"	4.75"
1 1/4"	1.66	702 - 166	47.93	12	1.85 #	2.59"	4.25"	5.00"
1 1/2"	1.90	702 - 190	54.40	12	2.10 #	2.81"	4.41"	5.25"
2"	2.38	702 - 238	68.65	12	3.00 #	3.41"	4.56"	5.38"

Flexible couplings do not provide protection against possible pullout of pipe ends in unrestrained conditions.

TO ORDER: Specify catalog number.

COUPLINGS