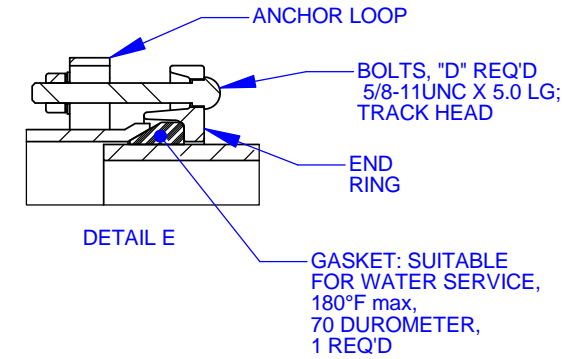


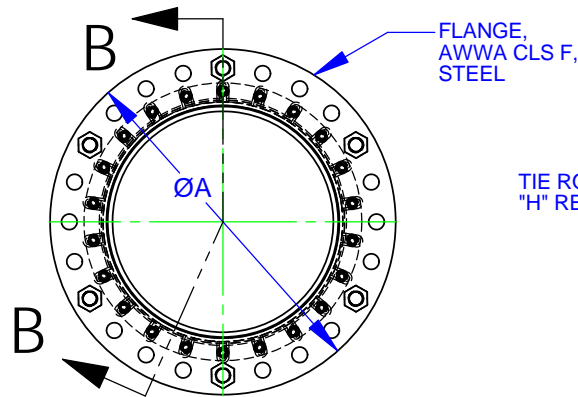
B2090-A

| NOM SIZE | DIMENSIONS | | | | | END RING BOLTS | TIE RODS | | | | SPOOL | | APPROX WEIGHT LBS |
|----------|------------|------------|------------|-------|-------|----------------|------------|--------|-----------|--------|-------|----------|----------------------|
| | FLANGE OD | FLANGE THK | C - LENGTH | | | QTY | SIZE (UNC) | LENGTH | STEEL QTY | SS QTY | OD | PIPE THK | |
| | | | A | B | NOM. | | | | | | | | |
| 3* | 8.25 | 1.13 | 13.00 | 11.50 | 14.50 | 4 | 3/4 - 10 | 19.25 | 2 | 2 | 3.50 | 0.22 | 45 |
| 4 | 10.00 | 1.13 | 13.00 | 11.50 | 14.50 | 4 | 3/4 - 10 | 19.25 | 2 | 2 | 4.50 | 0.24 | 61 |
| 6 | 12.50 | 1.31 | 13.25 | 11.75 | 14.75 | 6 | 3/4 - 10 | 20.00 | 2 | 2 | 6.63 | 0.28 | 96 |
| 8 | 15.00 | 1.31 | 13.50 | 12.00 | 15.00 | 6 | 7/8 - 9 | 20.50 | 2 | 2 | 8.63 | 0.32 | 131 |
| 10 | 17.50 | 1.50 | 14.00 | 12.50 | 15.50 | 8 | 1 - 8 | 21.50 | 2 | 2 | 10.75 | 0.37 | 183 |
| 12 | 20.50 | 1.63 | 14.50 | 13.00 | 16.00 | 8 | 1 1/8 - 7 | 22.75 | 2 | 4 | 12.75 | 0.38 | 267 |
| 14 | 23.00 | 1.94 | 15.50 | 14.00 | 17.00 | 8 | 1 1/8 - 7 | 24.25 | 2 | 4 | 14.00 | 0.25 | 351 |
| 16 | 25.50 | 2.14 | 16.00 | 14.50 | 17.50 | 10 | 1 1/4 - 7 | 25.75 | 2 | 4 | 16.00 | 0.25 | 449 |
| 18 | 28.00 | 2.25 | 16.25 | 14.75 | 17.75 | 10 | 1 1/4 - 7 | 25.75 | 2 | 4 | 18.00 | 0.25 | 533 |
| 20 | 30.50 | 2.33 | 16.50 | 15.00 | 18.00 | 12 | 1 1/4 - 7 | 26.25 | 4 | 4 | 20.00 | 0.25 | 632 |
| 24 | 36.00 | 2.69 | 17.25 | 15.75 | 18.75 | 14 | 1 1/2 - 6 | 28.25 | 4 | 4 | 24.00 | 0.25 | 954 |
| 28 | 40.75 | 3.13 | 19.00 | 17.50 | 20.50 | 16 | 1 3/4 - 5 | 31.50 | 4 | 4 | 28.00 | 0.25 | 1300 |
| 30 | 43.00 | 3.15 | 18.75 | 17.25 | 20.25 | 16 | 1 3/4 - 5 | 31.25 | 4 | 6 | 30.00 | 0.38 | 1537 |
| 36 | 50.00 | 3.46 | 19.75 | 18.25 | 21.25 | 18 | 2 - 4 1/2 | 33.25 | 4 | 6 | 36.00 | 0.38 | 2078 |
| 42 | 57.00 | 3.81 | 21.00 | 19.50 | 22.50 | 22 | 2 - 4 1/2 | 35.25 | 6 | 8 | 42.00 | 0.50 | 2939 |
| 48 | 65.00 | 4.50 | 22.50 | 21.00 | 24.00 | 24 | 2 - 4 1/2 | 38.00 | 6 | 10 | 48.00 | 0.50 | 4356 |

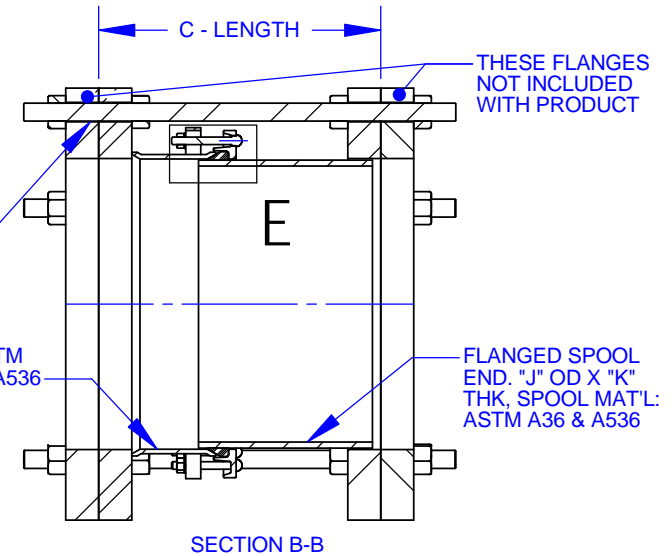
| REVISIONS | | | |
|-----------|------------------------------|------------|----------|
| REV. | DESCRIPTION | DATE | APPROVED |
| 0 | INITIAL RELEASE | 10/17/2002 | NST III |
| 1 | ADDED 3" SIZE | 11/15/2002 | NST III |
| 2 | UPDATED APPROX WEIGHT 3"-48" | 7/6/2009 | PNN |
| 3 | ADDED 28" SIZE | 10/21/2015 | NST III |



* 3" SIZE USES AN ANSI CLS 300 FLANGE WITH A FLAT FACE



TIE ROD, "F" UNC X "G" LG. "H" REQ'D, ASTM A193 GR. B7



NOTES:

1. COATING: CUSTOMER SPECIFIED. ROMAC NSF 61 SHOPCOAT PAINT OR NSF 61 CERTIFIED FUSION BONDED EPOXY.
2. FASTENERS: CUSTOMER SPECIFIED. HSLA PER ASTM A588 OR STAINLESS STEEL TYPE 304 OR 316 PER ASTM A193.
3. PRESSURE RATED UP TO FLANGES PROVIDED. 4"-48" AWWA CLS F 300 PSIG WORKING, 450 PSIG TEST.
4. WHEN INSTALLING, POSITION THE FLANGED COUPLING END IN THE REQUIRED LOCATION & THEN FOLLOW BOLTING INSTRUCTIONS.
5. NOT INTENDED TO PROVIDE LATERAL MOVEMENT IN PIPELINE.

| | | | | | | |
|---|---|---------------------------------------|---|------------------|----------------------|---------------------|
| PROPRIETARY NOTICE | UNLESS OTHERWISE SPECIFIED | SIGNATURES | ROMAC INDUSTRIES INC., BOTHELL, WA | | | |
| THIS DRAWING CONTAINS CONFIDENTIAL PROPRIETARY INFORMATION AND IS THE PROPERTY OF ROMAC IND., INC. IT IS TO BE USED ONLY FOR THE PURPOSE FOR WHICH IT WAS SUBMITTED AND SHALL NOT HAVE ITS INFORMATION DISCLOSED OR REPRODUCED IN WHOLE OR IN PART FOR ANY PURPOSE WITHOUT PRIOR WRITTEN PERMISSION OF ROMAC IND., INC. | DIMENSIONS ARE IN INCHES TOLERANCES ARE ON: 1 PL DECIMALS ± .060 2 PL DECIMALS ± .030 3 PL DECIMALS ± .010 ANGLES ± 1° FRACTIONS ± 1/64 | DRAWN | TITLE DISMANTLING JOINT DJ400 3"-48" AWWA CLS F | | | |
| | | CHECKED | | | | |
| | | APPROVAL ORGANIZATIONS ENGINEERING | DWG. NO. B2090-A | SIZE A | REV. NO. 3 | SCALE NTS |