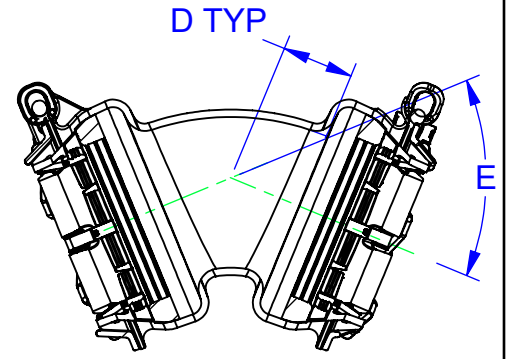
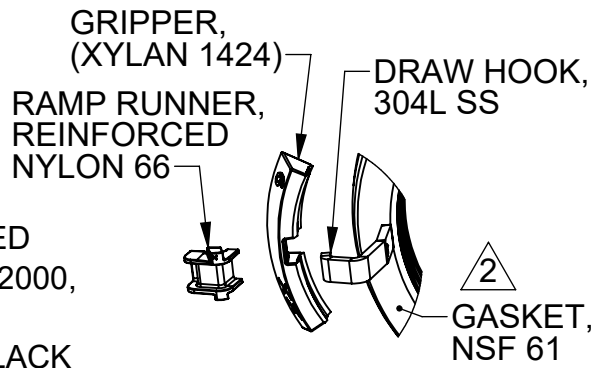
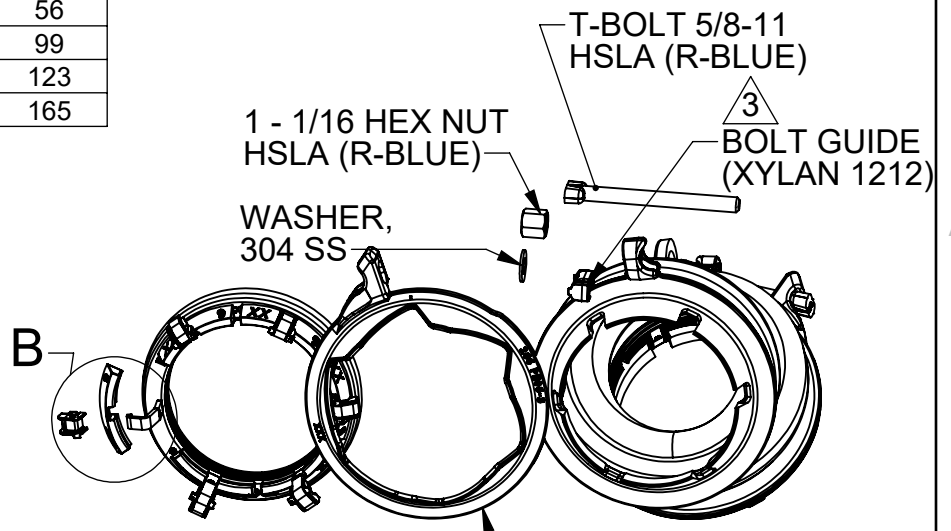
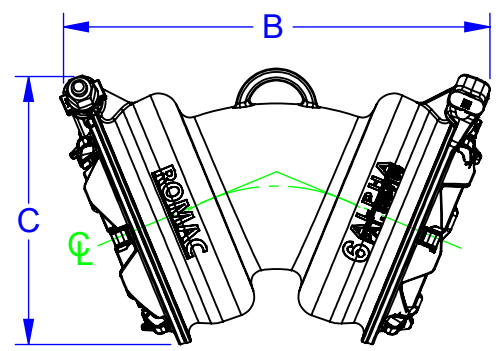
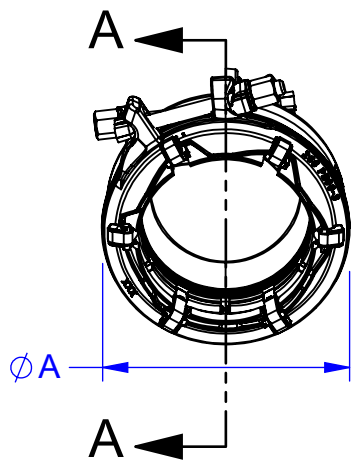


SIZE	PIPE O.D. RANGE	ØA	B	C	D	E	APPX. WEIGHT (LBS)
4	4.50-4.90	Ø8.13	14.50	9.07	2.00 TYP	45.00°	33
6	6.60-7.00	Ø10.33	17.74	11.11	3.00 TYP	45.00°	56
8	8.60-9.10	Ø13.29	20.85	13.75	3.50 TYP	45.00°	99
10	10.75-11.20	Ø15.40	24.03	15.69	4.50 TYP	45.00°	123
12	12.75-13.30	Ø17.53	29.50	17.59	5.50 TYP	45.00°	165

REVISIONS				
REV.	A	DESCRIPTION	DATE	EDITOR
R0	A	INITIAL RELEASE.	4/23/21	JSA



DETAIL B
SCALE 1 : 4

SECTION A-A

- NOTES:
1. ALL MATERIALS ASTM A536 GRADE 65-45-12 DUCTILE IRON UNLESS OTHERWISE SPECIFIED
 2. GASKET MATERIAL: NSF 61 SBR PER ASTM D2000, NSF 61 NBR AVAILABLE UPON REQUEST
 3. BOLT GUIDE COATING BLACK XYLAN 1212. BLACK E-COAT UPON REQUEST
 4. REFER TO INSTALLATION INSTRUCTIONS FOR MINIMUM PIPE INSERTION AND WORKING PRESSURE

FOR CUSTOMER USE

RELEASED

<p>PROPRIETARY NOTICE</p> <p>THIS DRAWING CONTAINS CONFIDENTIAL PROPRIETARY INFORMATION AND IS THE PROPERTY OF ROMAC IND., INC. IT IS TO BE USED ONLY FOR THE PURPOSE FOR WHICH IT WAS SUBMITTED AND SHALL NOT HAVE ITS INFORMATION DISCLOSED OR REPRODUCED IN WHOLE OR IN PART FOR ANY PURPOSE WITHOUT PRIOR WRITTEN PERMISSION OF ROMAC IND., INC.</p>		<p>UNLESS OTHERWISE SPECIFIED</p> <ul style="list-style-type: none"> DIMENSIONS ARE IN INCHES DRAWING NOT TO SCALE. 		<p>SIGNATURES</p> <p>DRAWN Justin Ansdell</p> <p>APPROVED James Protzeller</p>		<p>DATE</p> <p>04/12/2021</p> <p>4/23/2021</p>		<p>ROMAC INDUSTRIES INC.</p> <p>TITLE ALPHA FITTING, 45 DEG, 4-12 INCH, STANDARD</p>	
<p>MODEL NAME: ALPHA, FITTING, 45 DEG, ASSEMBLY, 6 IN, ALPHA X ALPHA exploded MODEL CAD #: CAD-060689</p>		<p>CONFIGURATION NAME: Default</p>		<p>THIRD ANGLE PROJECTION</p>		<p>LEGACY DRAWING #: DRAWING FILE NAME: ALPHA, FITTING, 45 DEG, 4-12 INCH, STANDARD</p>		<p>DWG. NO. CAD-060688</p> <p>SIZE A</p> <p>REV. NO. R0</p> <p>SCALE NTS</p> <p>SHEET 1 OF 1</p> <p>AUTHOR: Justin Ansdell</p>	