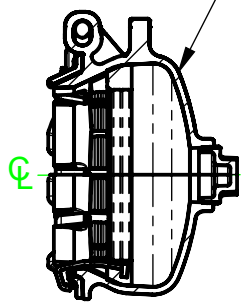


SIZE	PIPE OD RANGE	BODY OD	LENGTH	HEIGHT	MAX PRESSURE [PSI]	MAX DEFLECTION [DEGREES]	APPX. WEIGHT [LBS]
		A [A]	B [A]	C [A]			
4	4.50-4.90	8.1	7.4	9.8	350	4	21
6	6.60-7.00	10.4	7.9	12.0	350	4	30
8	8.60-9.10	13.4	9.7	15.1	350	4	52
10	10.75-11.20	15.5	9.9	17.1	350	4	63
12	12.75-13.30	17.5	10.3	19.2	350	4	78

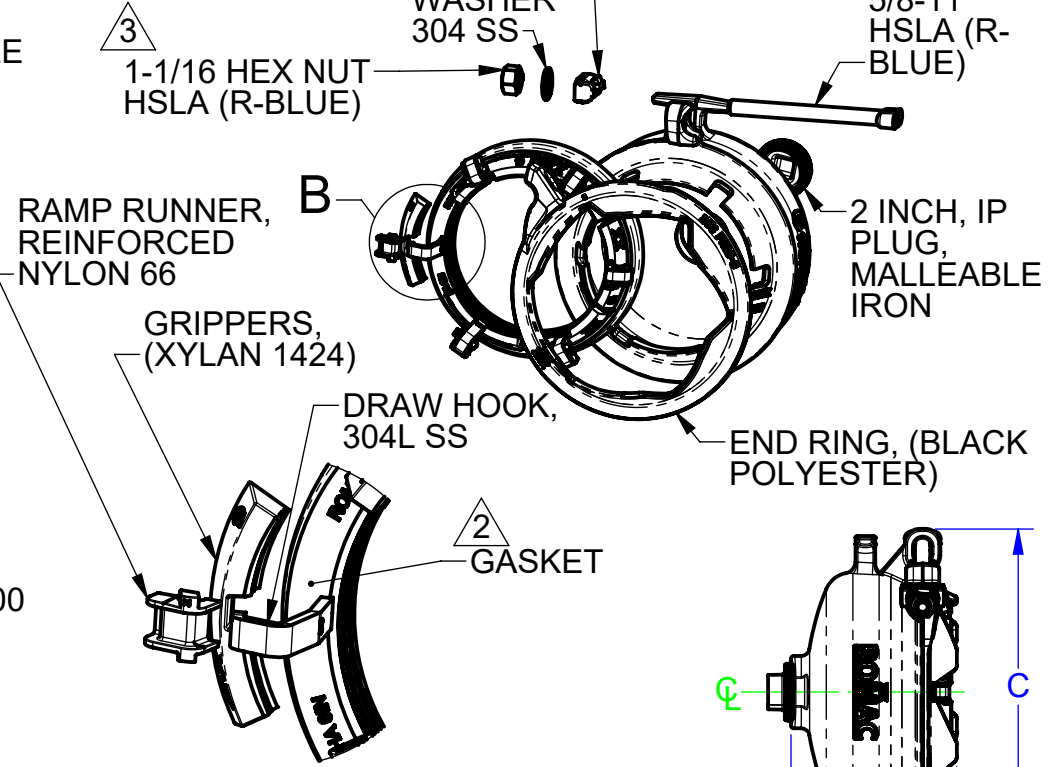
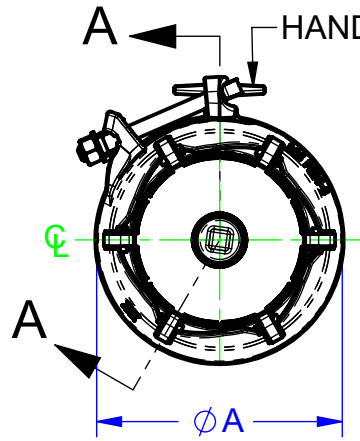
REVISIONS			
REV.	DESCRIPTION	DATE	EDITOR
R3	A	8/2/21	CMB
	DIMENSIONS UPDATED		

FOR CUSTOMER USE

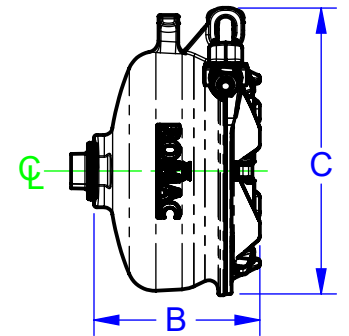
BODY, NSF 61 FUSION BONDED EPOXY



SECTION A-A



DETAIL B  
SCALE 1 : 3



NOTES:

1. ALL MATERIALS ASTM A536 GRADE 65-45-12 DUCTILE IRON UNLESS OTHERWISE SPECIFIED
2. GASKET MATERIAL: NSF 61 SBR PER ASTM D2000 OR NSF 61 NBR AVAILABLE UPON REQUEST
3. FASTENER MATERIAL: HSLA, R-BLUE COATED NUT AND BOLT. WASHER IS 304 SS
4. BOLT GUIDE COMES STANDARD WITH BLACK XYLAN 1212. BLACK E-COAT AVAILABLE UPON REQUEST.
5. MINIMUM INSERTION PER INSTALLATION INSTRUCTIONS

PROPRIETARY NOTICE	UNLESS OTHERWISE SPECIFIED	SIGNATURES	DATE	ROMAC INDUSTRIES INC.				
THIS DRAWING CONTAINS CONFIDENTIAL PROPRIETARY INFORMATION AND IS THE PROPERTY OF ROMAC IND., INC. IT IS TO BE USED ONLY FOR THE PURPOSE FOR WHICH IT WAS SUBMITTED AND SHALL NOT HAVE ITS INFORMATION DISCLOSED OR REPRODUCED IN WHOLE OR IN PART FOR ANY PURPOSE WITHOUT PRIOR WRITTEN PERMISSION OF ROMAC IND., INC.	<ul style="list-style-type: none"> <li>DIMENSIONS ARE IN INCHES</li> <li>DRAWING NOT PERFECTLY TO SCALE</li> </ul>	DRAWN Caitlin Boone	8/2/2021		TITLE ALPHA END CAP, 4-12 INCH, STANDARD			
		APPROVED James Protzeller	8/6/2021		DWG. NO. CAD-045804	SIZE A	REV. NO. R3	SCALE 1:8
MODEL NAME: ALPHA, END CAP, ASSEMBLY, 6 INCH MODEL CAD #: CAD-045543	CONFIGURATION NAME: EXPLODED VIEW	THIRD ANGLE PROJECTION		LEGACY DRAWING #: DRAWING FILE NAME: ALPHA, END CAP, ASSEMBLY, 4-12 INCH, STD		AUTHOR: Tyler Matthews		

RELEASED