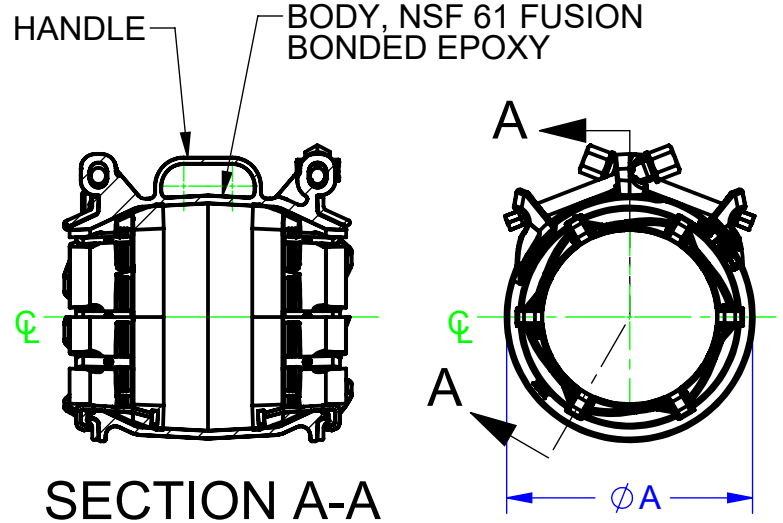


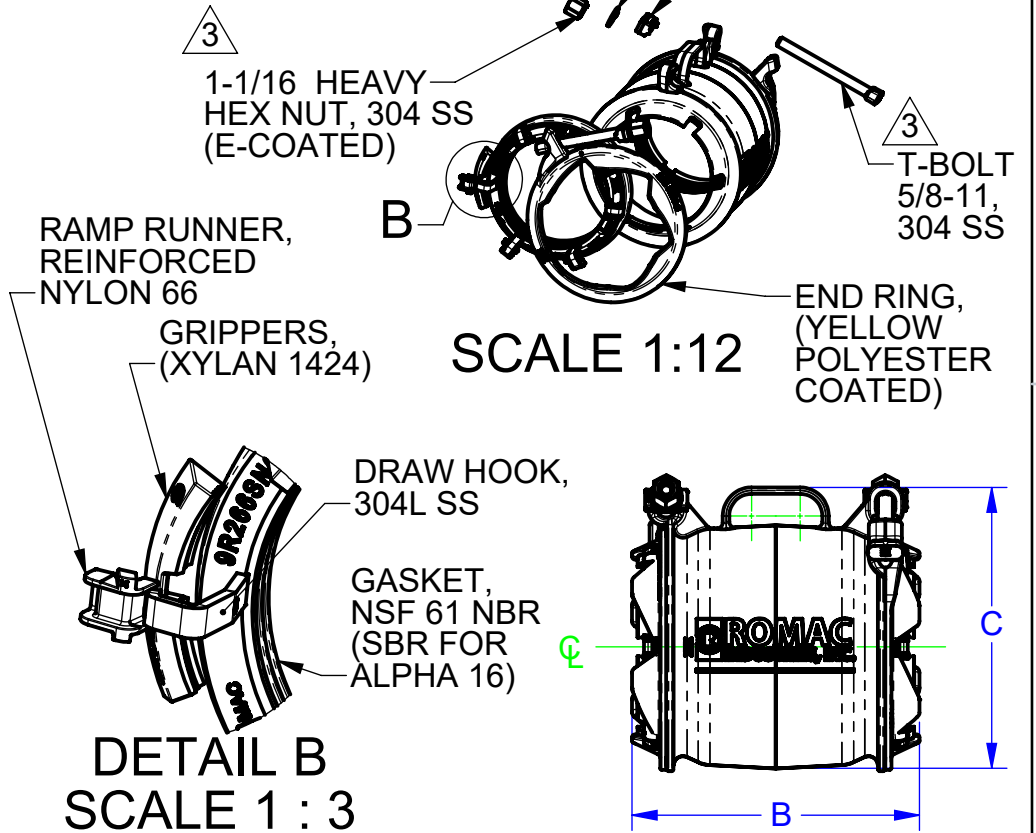
SIZE	PIPE OD RANGE	BODY OD	LENGTH	HEIGHT	MAX PRESSURE [PSI]	MAX DEFLECITON PER SIDE [DEGREES]	APPX. WEIGHT [LBS]
		A [A]	B [A]	C [A]			
4	4.80-5.10	8.1	11.8	9.8	350	4	40
6	6.90-7.10	10.4	12.0	12.0	350	4	50
8	9.05-9.40	13.5	13.2	15.1	350	4	75
10	11.10-11.45	15.6	13.2	17.2	350	4	95
12	13.20-13.60	17.6	13.3	19.2	350	4	100
16	17.40-17.85	23.6	15.3	25.5	350	2	230

REVISIONS				
REV.	DESCRIPTION	SHEET #	DATE	EDITOR
R2	A	1	7/27/21	CMB
DIMENSIONS UPDATED				



SECTION A-A

- NOTES:
1. ALL MATERIALS ASTM A536 GRADE 65-45-12 DUCTILE IRON UNLESS OTHERWISE SPECIFIED
 2. FASTENER MATERIAL: TYPE 304 STAINLESS STEEL, 316 AVAILABLE UPON REQUEST
 3. BOLT GUIDE COATING BLACK XYLAN 1212. BLACK E-COAT AVAILABLE UPON REQUEST
 4. REFER TO INSTALLATION INSTRUCTIONS FOR MINIMUM PIPE INSERTION



DETAIL B
SCALE 1 : 3

<p>PROPRIETARY NOTICE</p> <p>THIS DRAWING CONTAINS CONFIDENTIAL PROPRIETARY INFORMATION AND IS THE PROPERTY OF ROMAC IND., INC. IT IS TO BE USED ONLY FOR THE PURPOSE FOR WHICH IT WAS SUBMITTED AND SHALL NOT HAVE ITS INFORMATION DISCLOSED OR REPRODUCED IN WHOLE OR IN PART FOR ANY PURPOSE WITHOUT PRIOR WRITTEN PERMISSION OF ROMAC IND., INC.</p>		<p>UNLESS OTHERWISE SPECIFIED</p> <ul style="list-style-type: none"> • DIMENSIONS ARE IN INCHES • DIMENSIONS IN VIEWS NOT PERFECTLY TO SCALE 		<p>SIGNATURES</p> <p>DRAWN Caitlin Boone</p> <p>APPROVED James Protzeller</p>		<p>DATE</p> <p>07/27/2021</p> <p>7/27/2021</p>		<p>ROMAC INDUSTRIES INC.</p> <p>TITLE ALPHA COUPLING, 4-16 INCH, XL</p>	
<p>MODEL NAME: ALPHA, COUPLING, ASSEMBLY, 4 INCH, XL MODEL CAD #: CAD-045815</p>		<p>CONFIGURATION NAME: Default</p>		<p>THIRD ANGLE PROJECTION</p>		<p>LEGACY DRAWING #: DRAWING FILE NAME: ALPHA, COUPLING, 4-12 INCH, XL</p>		<p>AUTHOR: Tyler Matthews</p>	
				<p>DWG. NO. CAD-045681</p>		<p>SIZE A</p>	<p>REV. NO. R2</p>	<p>SCALE 1:8</p>	<p>SHEET 1 OF 1</p>

FOR CUSTOMER USE

RELEASED