

REVISIONS			
REV.	DESCRIPTION	DATE	EDITOR
R0	INITIAL RELEASE	'15 SEP 24	DEL EATON

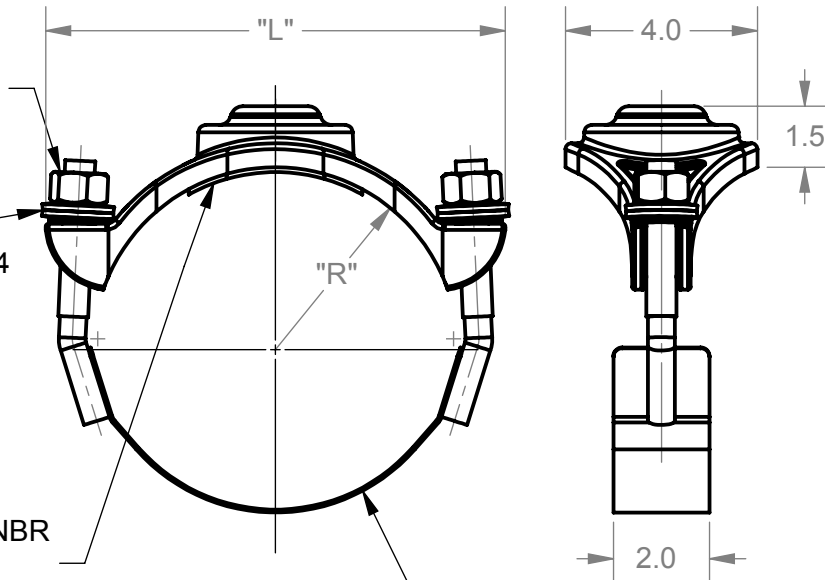
5/8-11UNC WITH HEAVY HEX NUTS COATED TO PREVENT GALLING

WASHERS:

- 1 EACH TYPE 304 SS AND ACETAL PLASTIC
- "N" SPRING WASHERS

GASKET, NBR RUBBER

STRAP, TYPE 304 STAINLESS STEEL



NOTE:

1. ALL MATERIAL DUCTILE IRON PER ASTM A536 GR. 65-45-12 UNLESS NOTED OTHERWISE.
2. COATING: NYLON COATING 10-12 MILS THICK.
3. THREAD: "IP" (NPT) OR "CC" (PER AWWA C800) AVAILABLE.
4. STRAP: TYPE 304 STAINLESS STEEL, 5/8"-UNC THREAD WITH HEAVY HEX NUT AND FLAT WASHER. GMAW WELDED, CHEMICALLY CLEANED AND PASSIVATED.

NOM. SIZE	PIPE O.D.	L	R	N
4"	4.50	6.88	2.25	2
	4.80	6.88	2.40	2
6"	6.63	8.75	3.32	2
	6.90	9.63	3.80	2
8"	8.63	10.75	4.32	3
	9.05	11.13	4.53	3
10"	10.75	13.38	5.38	3
	11.10	13.13	5.55	3
12"	12.75	15.31	6.38	3
	13.20	15.13	6.60	3

<p>PROPRIETARY NOTICE</p> <p>THIS DRAWING CONTAINS CONFIDENTIAL PROPRIETARY INFORMATION AND IS THE PROPERTY OF ROMAC IND., INC. IT IS TO BE USED ONLY FOR THE PURPOSE FOR WHICH IT WAS SUBMITTED AND SHALL NOT HAVE ITS INFORMATION DISCLOSED OR REPRODUCED IN WHOLE OR IN PART FOR ANY PURPOSE WITHOUT PRIOR WRITTEN PERMISSION OF ROMAC IND., INC.</p>		<p>UNLESS OTHERWISE SPECIFIED</p> <p>DIMENSIONS ARE IN INCHES</p> <p>TOLERANCES ARE ON:</p> <p>1 PL DECIMALS ± 0.020</p> <p>2 PL DECIMALS ± 0.010</p> <p>3 PL DECIMALS ± 0.005</p> <p>ANGLES ± 1°</p> <p>FRACTIONS ± 1/64</p>		<p>SIGNATURES</p> <p>DATE</p> <p>09/24/2015</p> <p>09/29/2015</p>		<p>ROMAC INDUSTRIES INC.</p> <p>TITLE</p> <p>101H SADDLES</p> <p>4" - 12"</p>					
		<p>DRAWN</p> <p>Del Eaton</p> <p>APPROVED</p> <p>Peter Nielsen</p>				<p>DWG. NO.</p> <p>CAD-023168</p>		<p>SIZE</p> <p>A</p>	<p>REV. NO.</p> <p>R0</p>	<p>SCALE</p> <p>1:4</p>	<p>SHEET</p> <p>1 OF 1</p>