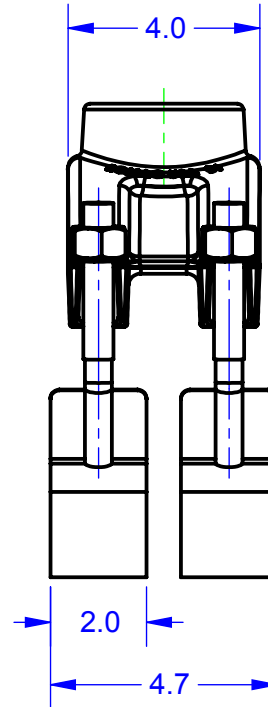
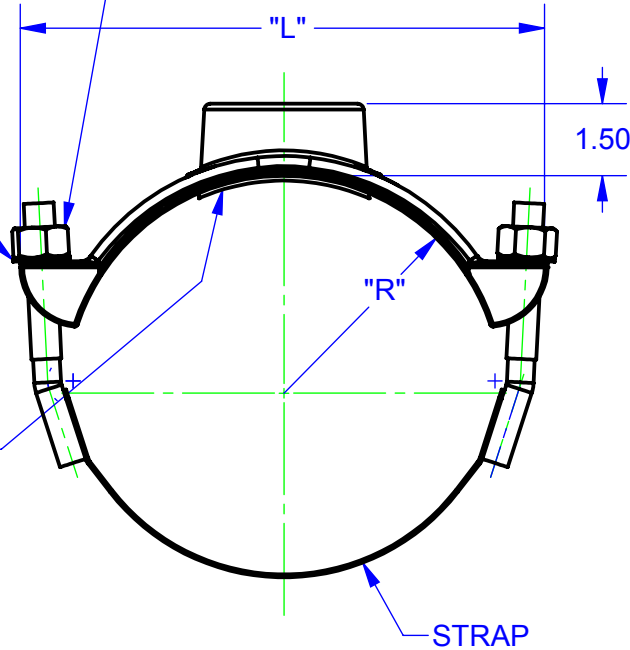


5/8-11UNC WITH HEAVY HEX NUTS COATED TO PREVENT GALLING

TYPE 304 SS WASHER

GASKET, NBR RUBBER



R1

NOTE:

1. BODY: DUCTILE IRON PER ASTM A536 GR. 65-45-12
2. THREAD: "IP" (NPT) OR "CC" (PER AWWA C800) AVAILABLE
3. GASKET: NITRILE BUTADIENE RUBBER (NBR) PER ASTM D2000 MBC 610
4. COATING:
  - 202S: SHOP COAT ENAMEL
  - 202NS: NYLON COATING 10-12 MILS THICK.
5. STRAP: TYPE 304 STAINLESS STEEL, 5/8"-UNC THREAD WITH HEAVY HEX NUT AND FLAT WASHER. GMAW WELDED, CHEMICALLY CLEANED AND PASSIVATED.

REVISIONS

REV.	DESCRIPTION	DATE	EDITOR
R0	INITIAL RELEASE	'15 JUN 10	DEL EATON
R1	REMOVED 12.00-12.75 SADDLE. OBSOLETE CASTING. "L" DIM FOR 13.20 WAS 16.19".	7/19/2017	DJR
	REMOVED 10.00-10.75 SADDLE. OBSOLETE CASTING.		

DIMENSIONS

NOM. SIZE	PIPE OD RANGE	L	R
4"	4.00 - 4.50	6.94	2.25
	4.50 - 4.80	7.00	2.40
	4.50 - 5.40	7.63	2.70
6"	6.00 - 6.63	8.75	3.32
	6.63 - 7.60	9.50	3.80
8"	8.00 - 8.63	11.19	4.32
	8.63 - 9.05	11.13	4.53
	8.63 - 9.80	11.81	4.90
10"	10.00 - 11.10	13.06	5.55
	11.10 - 12.12	14.19	6.06
12"	12.00 - 13.20	15.19	6.60
	13.20 - 14.38	16.31	7.19
14"	15.30 - 16.80	11.69	8.40
16"	17.40 - 18.90	12.69	9.45
18"	19.50 - 21.10	12.69	10.45
20"	21.10 - 22.70	12.69	11.35
22"	22.70 - 24.30	12.63	12.15
24"	24.30 - 25.90	14.5	12.95
26"	25.70 - 27.30	14.5	13.65
28"	27.30 - 28.90	14.5	14.45
	28.90 - 30.50	14.5	15.25
30"	30.50 - 32.10	14.5	16.05

FOR CUSTOMER USE

RELEASED

<p>PROPRIETARY NOTICE</p> <p>THIS DRAWING CONTAINS CONFIDENTIAL PROPRIETARY INFORMATION AND IS THE PROPERTY OF ROMAC IND., INC. IT IS TO BE USED ONLY FOR THE PURPOSE FOR WHICH IT WAS SUBMITTED AND SHALL NOT HAVE ITS INFORMATION DISCLOSED OR REPRODUCED IN WHOLE OR IN PART FOR ANY PURPOSE WITHOUT PRIOR WRITTEN PERMISSION OF ROMAC IND., INC.</p>		<p>UNLESS OTHERWISE SPECIFIED</p> <ul style="list-style-type: none"> <li>• DIMENSIONS ARE IN INCHES</li> <li>• TOLERANCES ARE ON:                             <ul style="list-style-type: none"> <li>1 PL DECIMALS ± 0.020</li> <li>2 PL DECIMALS ± 0.010</li> <li>3 PL DECIMALS ± 0.005</li> </ul> </li> <li>• ANGLES ± 1°</li> <li>• FRACTIONS ± 1/64</li> <li>• DIMENSIONS IN ( ) ARE FOR REFERENCE ONLY</li> </ul>		<p>SIGNATURES</p> <p>DRAWN Derek Richardson</p> <p>APPROVED Sam Hill</p>		<p>DATE</p> <p>07/19/2017</p> <p>7/19/2017</p>		<p>ROMAC INDUSTRIES INC.</p> <p>TITLE 202S AND 202NS SADDLES 4" - 30"</p>			
<p>MODEL NAME: 202NS-9.05 X 1 IP MODEL CAD #: CAD-021154 VERSION:</p>		<p>CONFIGURATION NAME: 202S</p>		<p>THIRD ANGLE PROJECTION</p>		<p>DWG. NO. CAD-021165</p>		<p>SIZE A</p>	<p>REV. NO. R1</p>	<p>SCALE 1:4</p>	<p>SHEET 1 OF 1</p>
<p>AUTHOR: Del Eaton</p>											