

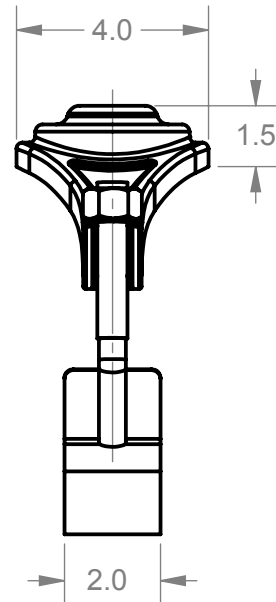
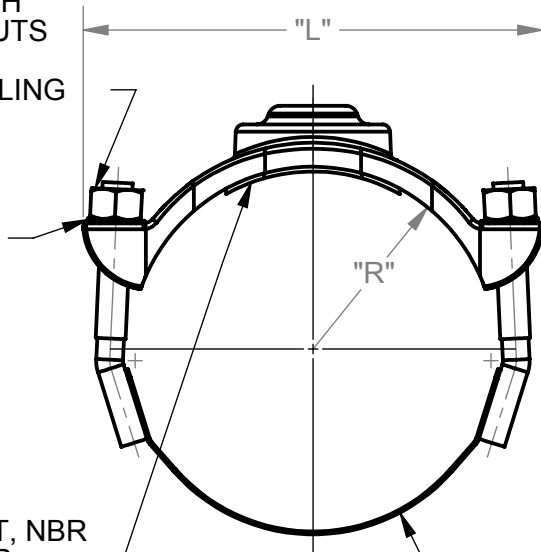
REVISIONS			
REV.	DESCRIPTION	DATE	EDITOR
R0	INITIAL RELEASE	'15 JUN 8	DEL EATON

5/8-11UNC WITH HEAVY HEX NUTS COATED TO PREVENT GALLING

TYPE 304 SS WASHER

GASKET, NBR RUBBER


STRAP, TYPE 304 STAINLESS STEEL



NOMINAL SIZE	O.D. PIPE RANGE	LENGTH (L)	RADIUS (R)
4"	4.00 - 4.50	6.88	2.25
	4.50 - 4.80	6.88	2.40
	4.50 - 5.40	7.56	2.70
6"	6.00 - 6.63	8.75	3.32
	6.63 - 6.90	8.88	3.45
	6.63 - 7.60	9.63	3.80
8"	8.00 - 8.63	10.75	4.32
	8.63 - 9.05	11.13	4.53
	8.63 - 9.80	11.75	4.90
10"	10.00 - 10.75	13.38	5.38
	10.75 - 11.10	13.13	5.55
	11.10 - 12.12	14.00	6.06
12"	12.00 - 12.75	15.31	6.38
	12.75 - 13.20	15.13	6.60
	13.20 - 14.38	16.19	7.19

**NOTE:**

1. ALL MATERIAL DUCTILE IRON PER ASTM A536 GR. 65-45-12 UNLESS NOTED OTHERWISE.
2. COATING:
  - 101S: SHOP COAT ENAMEL
  - 101NS: NYLON COATING 10-12 MILS THICK.
3. THREAD: "IP" (NPT) OR "CC" (PER AWWA C800) AVAILABLE.
4. STRAP: TYPE 304 STAINLESS STEEL, 5/8"-UNC THREAD WITH HEAVY HEX NUT AND FLAT WASHER. GMAW WELDED, CHEMICALLY CLEANED AND PASSIVATED.

PROPRIETARY NOTICE	UNLESS OTHERWISE SPECIFIED	SIGNATURES	DATE		ROMAC INDUSTRIES INC.					
THIS DRAWING CONTAINS CONFIDENTIAL PROPRIETARY INFORMATION AND IS THE PROPERTY OF ROMAC IND., INC. IT IS TO BE USED ONLY FOR THE PURPOSE FOR WHICH IT WAS SUBMITTED AND SHALL NOT HAVE ITS INFORMATION DISCLOSED OR REPRODUCED IN WHOLE OR IN PART FOR ANY PURPOSE WITHOUT PRIOR WRITTEN PERMISSION OF ROMAC IND., INC.	DIMENSIONS ARE IN INCHES TOLERANCES ARE ON: 1 PL DECIMALS ± 0.020 2 PL DECIMALS ± 0.010 3 PL DECIMALS ± 0.005 ANGLES ± 1° FRACTIONS ± 1/64	DRAWN Del Eaton	06/08/2015		TITLE 101S AND 101NS SADDLES 4" - 12"					
		APPROVED Peter Nielsen	9/25/2015	DWG. NO. CAD-021110		SIZE A	REV. NO. R0	SCALE 1:4	SHEET 1 OF 1	