

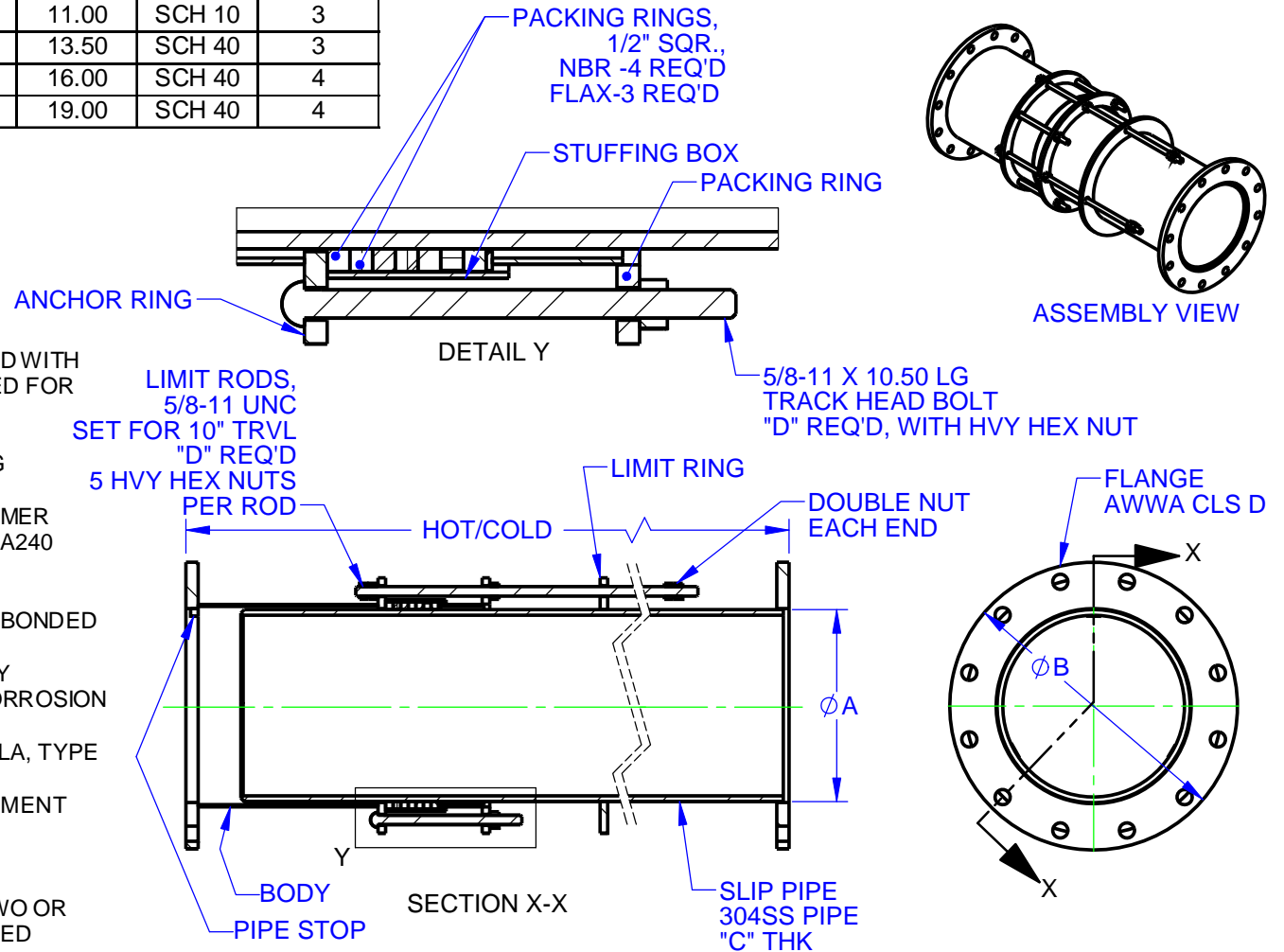
B3280-A


SIZE	HOT	COLD	ØA	ØB	C	D
3	40.25	50.25	3.50	8.25	SCH 10	2
4	40.25	50.25	4.50	9.00	SCH 10	2
5	40.56	50.56	5.56	10.00	SCH 10	2
6	40.75	50.75	6.63	11.00	SCH 10	3
8	40.75	50.75	8.63	13.50	SCH 40	3
10	40.88	50.88	10.75	16.00	SCH 40	4
12	41.25	51.25	12.75	19.00	SCH 40	4

REVISIONS			
REV.	DESCRIPTION	DATE	APPROVED
0	INITIAL RELEASE	9/16/09	SAM HILL

TECHNICAL DATA:

- EXPANSION JOINT TYPE: SINGLE SIDED WITH LIMIT RODS. FLANGED ENDS PROVIDED FOR BOLTING INTO PLACE.
- MAXIMUM ALLOWABLE TRAVEL: 10.0"
- MAXIMUM PRESSURE RATING 175 PSIG WORKING, 218 PSIG TEST.
- MATERIAL OF CONSTRUCTION: CUSTOMER SPECIFIED ASTM A36 STEEL OR ASTM A240 TYPE 304 STAINLESS STEEL.
- COATING:
  - STEEL: SHOPCOAT OR FUSION BONDED EPOXY.
  - STAINLESS STEEL: CHEMICALLY PASSIVATED FOR MAXIMUM CORROSION RESISTANCE.
- FASTENERS: CUSTOMER SPECIFIED HSLA, TYPE 304SS, OR TYPE 316 SS
- EJ403 DESIGNED FOR AXIAL PIPE MOVEMENT ONLY. LIMIT RODS ARE NOT FOR PIPE RESTRAINT
- MEETS STANDARD AWWA C221.
- EJ403'S ARE TYPICALLY USED WHEN TWO OR MORE EXPANSION JOINTS ARE REQUIRED BETWEEN ANCHORS.



PROPRIETARY NOTICE THIS DRAWING CONTAINS CONFIDENTIAL PROPRIETARY INFORMATION AND IS THE PROPERTY OF ROMAC IND., INC. IT IS TO BE USED ONLY FOR THE PURPOSE FOR WHICH IT WAS SUBMITTED AND SHALL NOT HAVE ITS INFORMATION DISCLOSED OR REPRODUCED IN WHOLE OR IN PART FOR ANY PURPOSE WITHOUT PRIOR WRITTEN PERMISSION OF ROMAC IND., INC.	UNLESS OTHERWISE SPECIFIED DIMENSIONS ARE IN INCHES TOLERANCES ARE ON: 1 PL DECIMALS ± .060 2 PL DECIMALS ± .030 3 PL DECIMALS ± .010 ANGLES ± 1° FRACTIONS ± 1/64	SIGNATURES DRAWN CHECKED APPROVAL ORGANIZATIONS ENGINEERING	 ROMAC INDUSTRIES INC., BOTHELL, WA TITLE EJ403 3-12", 10.00 TRAVEL CLS D FLANGED ENDS, 175 PSI	DWG. NO.	SIZE	REV. NO.	SCALE	SHEET
					B3280-A	A	0	NTS