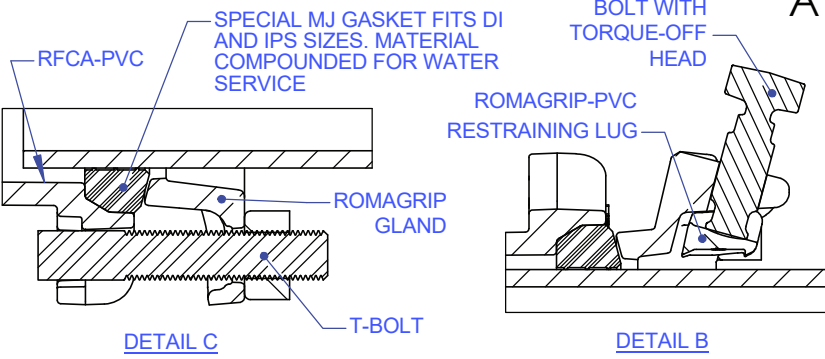
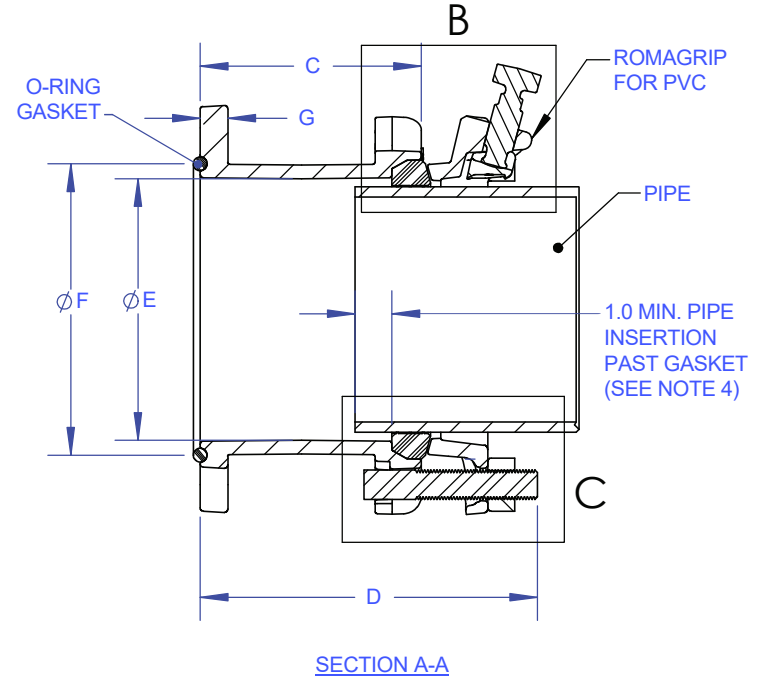
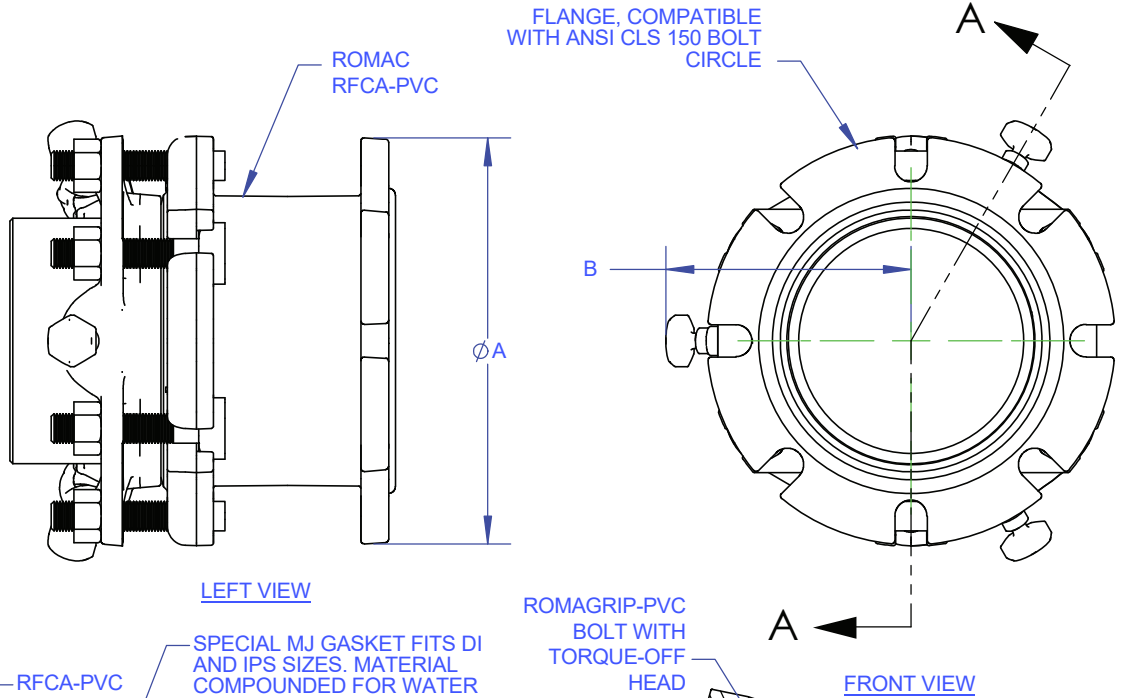


REVISIONS			
REV	DESCRIPTION	DATE	EDITOR
0	ORIGINAL RELEASE	07/24/2008	PZ
1	PRESSURE RATINGS REMOVED.	11/15/2019	DJS
2	CORRECTED NOTE 4 REFERENCE.	11/11/2024	MSL



NOM SIZE	DEFL. (deg)	FLG		RG MAX	T BOLTS			DIMENSIONS					WGT, LBS
		OD A	B		QTY	SIZE	LGTH	C	D	E	F	G	
3	2.0	7.5	5.3	4	5/8"	3.75	4.88	8.00	4.04	4.66	0.75	21	
4	3.5	9.0	5.7	4	3/4"	4.25	5.50	9.00	5.00	6.00	0.75	29	
6	3.5	11.0	6.7	6	3/4"	4.25	6.00	9.25	7.10	7.90	0.75	40	
8	3.3	13.5	7.8	6	3/4"	4.25	6.00	9.25	9.25	10.00	0.75	53	
10	3.0	16.0	8.8	8	3/4"	4.25	6.75	10.25	11.30	12.40	0.75	82	
12	3.0	19.0	9.9	8	3/4"	4.25	6.81	10.25	13.40	15.12	0.81	110	

- NOTES:
1. COATING OPTIONS: BODY - SHOP COAT OR NSF61 CERTIFIED FUSION BONDED EPOXY, ROMAGRIP - SHOP COAT OR ROMABOND POLYESTER.
 2. DUCTILE IRON AND T-BOLTS PER AWWA C111. STAINLESS STEEL FASTENERS AVAILABLE. WHEN STAINLESS STEEL, THREADED ROD AND TWO NUTS ARE SUPPLIED IN LIEU OF T-BOLTS.
 3. FOR USE ON PVC PIPE, THE RFCA-PVC IS REQUIRED FOR PVC PIPE.
 4. THE MINIMUM PIPE INSERTION IS 1.0" PAST GASKET, AT BOTH ZERO DEFLECTION AND AT MAX DEFLECTION VALUES (SEE TABLE).

THIS DRAWING CONTAINS CONFIDENTIAL PROPRIETARY INFORMATION AND IS THE PROPERTY OF ROMAC IND., INC. IT'S TO BE USED ONLY FOR THE PURPOSE FOR WHICH IT'S SUBMITTED AND SHALL NOT HAVE ITS INFORMATION DISCLOSED OR REPRODUCED IN WHOLE OR IN PART FOR ANY PURPOSE WITHOUT PRIOR WRITTEN PERMISSION OF ROMAC IND., INC.

SIGNATURES			ROMAC IND. INC., BOTHELL, WA	
DRWN	 Paul Zimpelman 2008.07.25 14:39:15 -0700		TITLE	
CHECKED	 11/14/24	3" - 12" RFCA-PVC RESTRAINED FLANGE COUPLING ADAPTER		
MATERIAL:		SIZE	DWG. NO.	REV. NO.
DUCTILE IRON, ASTM A536 GR 65-45-12		A	B3073-A	2
SCALE		SHEET 1 OF 1		
NTS				