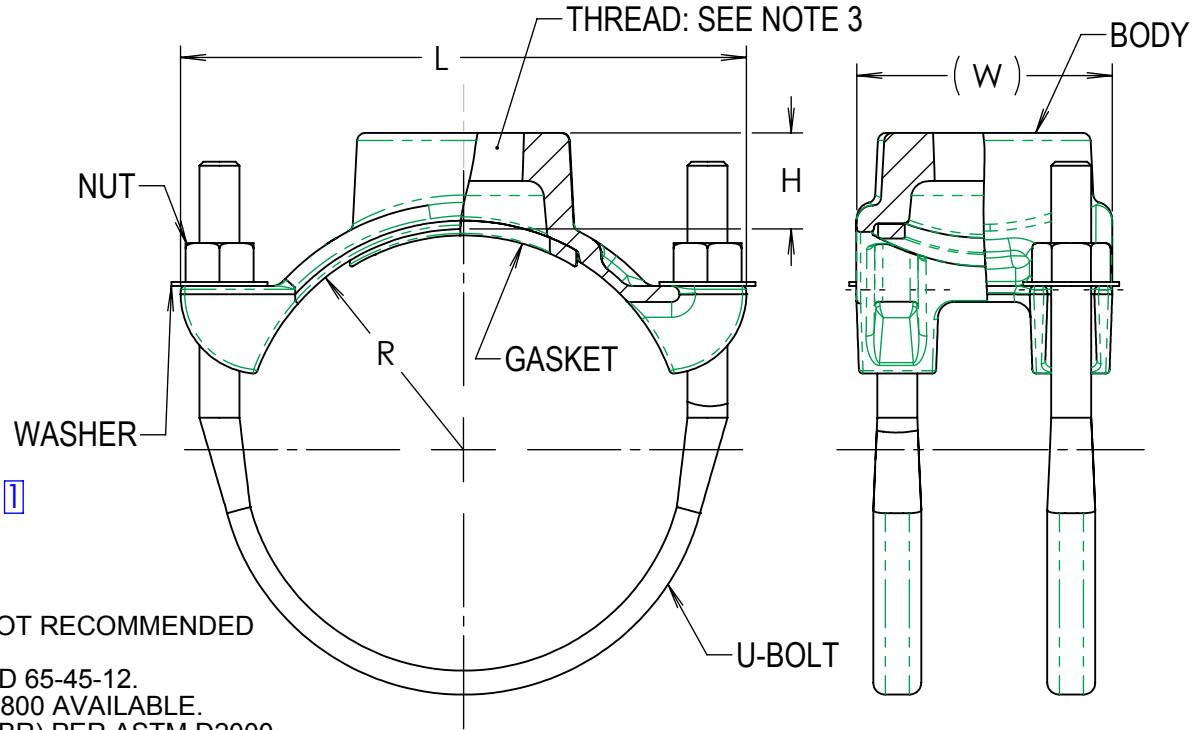


FOR CUSTOMER USE

DIMENSIONS					
NOM. SIZE	PIPE OD RANGE	L	R	H	W
2"	2.38 - 2.50	4.88	1.25	1.35	3.31
3"	3.50	5.94	1.75	1.35	3.31
	3.45 - 4.05	6.38	2.21	1.35	3.31
4"	4.00 - 4.50	6.94	2.25	1.50	4.00
	4.50 - 4.80	7.00	2.40	1.50	4.00
6"	6.00 - 6.63	8.75	3.32	1.50	4.00
	6.63 - 6.90	8.81	3.45	1.50	4.00
8"	6.63 - 7.60	9.50	3.80	1.50	4.00
	8.00 - 8.63	11.19	4.32	1.50	4.00
10"	8.63 - 9.05	11.13	4.53	1.50	4.00
	8.63 - 9.80	11.81	4.90	1.50	4.00
12"	10.00 - 11.10	13.06	5.55	1.50	4.00
	11.10 - 12.12	14.19	6.06	1.50	4.00
12"	12.00 - 13.20	15.19	6.60	1.50	4.00
	13.20 - 14.38	16.31	7.19	1.50	4.00

REVISIONS				
REV.	ZONE	DESCRIPTION	DATE	EDITOR
1	B2	REMOVED 12.00-12.75 SADDLE. OBSOLETE CASTING. "L" DIM FOR 13.20 WAS 16.19". REMOVED 10.00-10.75 SADDLE. OBSOLETE CASTING	7/7/2017	DJR



**NOTE:**

- SERVICE SADDLES WITH U-BOLTS ARE NOT RECOMMENDED FOR USE ON PVC PIPE.
- BODY: DUCTILE IRON PER ASTM A536 GRD 65-45-12.
- THREAD: "IP" (NPT) OR "CC" PER AWWA C800 AVAILABLE.
- GASKET: NITRILE BUTADIENE RUBBER (NBR) PER ASTM D2000 MBC 610.
- COATING:
  - 202U - SHOPCOAT ENAMEL
  - 202NU - NYLON
- U-BOLT:
  - ELECTRO-GALVANIZED STEEL MEETING AISI C1018 WITH FLAT WASHERS AND HEAVY HEX NUTS.
  - 316 STAINLESS STEEL AVAILABLE UPON REQUEST.
  - 1-1/2" THROUGH 3" SIZES, 1/2-NC ROLL THREAD.
  - 4" AND LARGER SIZES, 5/8"-UNC ROLL THREAD.

RELEASED

<p><b>PROPRIETARY NOTICE</b></p> <p>THIS DRAWING CONTAINS CONFIDENTIAL PROPRIETARY INFORMATION AND IS THE PROPERTY OF ROMAC IND., INC. IT IS TO BE USED ONLY FOR THE PURPOSE FOR WHICH IT WAS SUBMITTED AND SHALL NOT HAVE ITS INFORMATION DISCLOSED OR REPRODUCED IN WHOLE OR IN PART FOR ANY PURPOSE WITHOUT PRIOR WRITTEN PERMISSION OF ROMAC IND., INC.</p>		<p><b>UNLESS OTHERWISE SPECIFIED</b></p> <ul style="list-style-type: none"> <li>• DIMENSIONS ARE IN INCHES</li> <li>• TOLERANCES ARE ON:                             <ul style="list-style-type: none"> <li>1 PL DECIMALS ± 0.060</li> <li>2 PL DECIMALS ± 0.030</li> <li>3 PL DECIMALS ± 0.010</li> </ul> </li> <li>• ANGLES ± 1°</li> <li>• FRACTIONS ± 1/64</li> <li>• DIMENSIONS IN ( ) ARE FOR REFERENCE ONLY</li> </ul>		<p><b>SIGNATURES</b></p> <p>DRAWN Derek Richardson</p> <p>APPROVED Sam Hill</p>		<p><b>DATE</b></p> <p>07/07/2017</p> <p>7/10/2017</p>		<p><b>ROMAC INDUSTRIES INC.</b></p> <p>TITLE 202U AND 202NU SERVICE SADDLES, 2" - 12"</p>			
<p>MODEL NAME: 202U AND 202NU SERVICE SADDLES_2 IN - 12 IN MODEL CAD #: CAD-035666 VERSION:</p>		<p>CONFIGURATION NAME: Default</p>		<p>THIRD ANGLE PROJECTION</p>		<p>PDM DRAWING #: CAD-035665 DRAWING FILE NAME: 202U AND 202NU SERVICE SADDLES_2 IN - 12 IN</p>		<p>AUTHOR: Derek Richardson</p>			
						<p>DWG. NO. B2621-A</p>		<p>SIZE A</p>	<p>REV. NO. R0</p>	<p>SCALE 1:3</p>	<p>SHEET 1 OF 1</p>