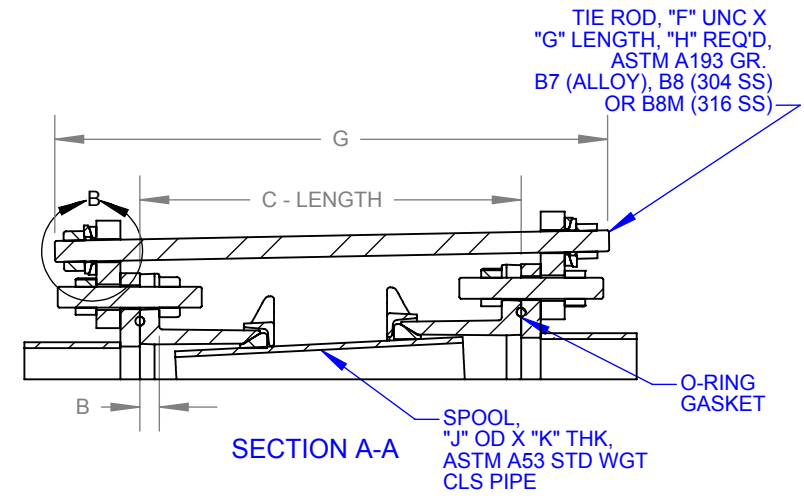
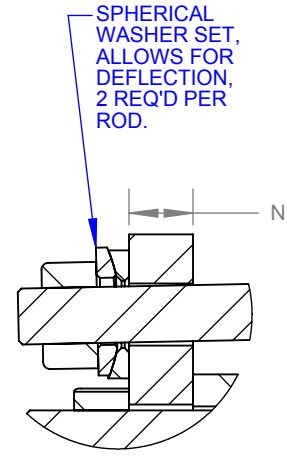
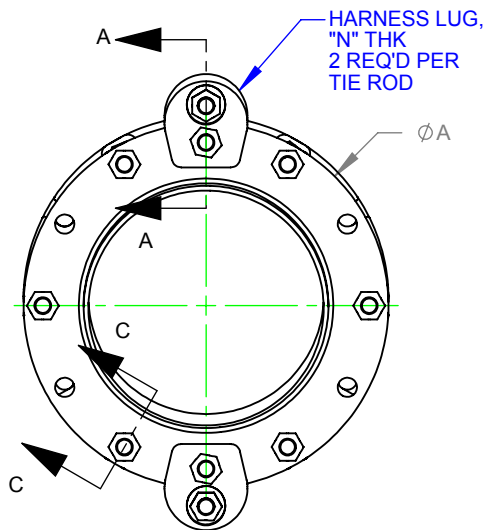


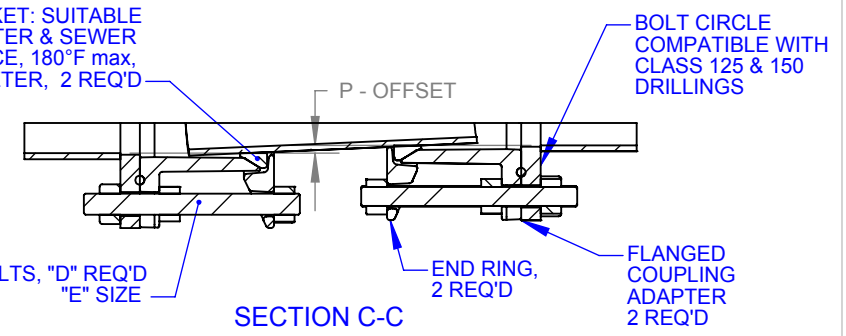
B2340-A

NOM SIZE	DIMENSIONS					BOLTS		TIE RODS				SPOOL		HARNES SLUG THK	OFFSET		APPROX. WEIGHT LBS		
	FLANGE OD		FCA FLANGE THK		C - LENGTH			QTY	SIZE	SIZE	LENGTH	175 PSI QTY	275 PSI QTY		OD	THK		AT MIN. LENGTH	AT MAX. LENGTH
	A	B	NOM.	MIN.	MAX.	D	E	F	G	H	J	K	N		P				
3	7.50	0.60	16.50	15.50	17.50	4	5/8 - 11	5/8	23.38		2	2	3.50	0.22	0.50	0.25	0.32	48	
4	9.00	0.60	16.50	15.50	17.50	8	5/8 - 11	5/8	23.75		2	2	4.50	0.24	0.50	0.26	0.33	58	
6	11.00	0.63	16.63	15.63	17.63	8	3/4 - 10	5/8	24.88		2	2	6.63	0.28	0.75	0.25	0.32	92	
8	13.50	0.63	16.63	15.63	17.63	8	3/4 - 10	5/8	25.25		2	3	8.63	0.32	0.75	0.26	0.33	122	
10	16.00	1.24	19.25	18.25	20.25	12	5/8 - 11 X 7/8 - 9	3/4	28.75		2	3	10.75	0.37	1.00	0.32	0.39	204	
12	19.00	1.25	19.50	18.50	20.50	12	7/8 - 9	7/8	29.63		2	4	12.75	0.38	1.00	0.33	0.40	268	

REV.	DESCRIPTION	DATE	APPROV.
1	INITIAL RELEASE	11/02/2004	N.T.H.
2	REMOVED FROM CLASSIFIED DRAWING	11/22/2011	N.T.H.



DETAIL B



- NOTES:
- NSF 61 CERTIFIED COATING: FUSION BONDED EPOXY IS STANDARD. OTHER COATINGS AVAILABLE UPON REQUEST.
 - FASTENERS: HSLA PER ASTM A588 IS STANDARD. STAINLESS STEEL TYPE 304 OR 316 PER ASTM A193 AVAILABLE UPON REQUEST.
 - TEST PRESSURE IS 1.5x WORKING PRESSURE.
 - ACCOMMODATES DEFLECTION AND/OR OFFSET IN A SYSTEM PROVIDING A SOLID CONNECTION AFTER INSTALLATION.
 - WHEN INSTALLING, POSITION THE FLANGED COUPLING END IN THE REQUIRED LOCATION & THEN FOLLOW BOLTING INSTRUCTIONS.
 - NOT INTENDED TO PROVIDE LATERAL MOVEMENT IN PIPELINE.

<p>PROPRIETARY NOTICE</p> <p>THIS DRAWING CONTAINS CONFIDENTIAL PROPRIETARY INFORMATION AND IS THE PROPERTY OF ROMAC IND., INC. IT IS TO BE USED ONLY FOR THE PURPOSE FOR WHICH IT WAS SUBMITTED AND SHALL NOT HAVE ITS INFORMATION DISCLOSED OR REPRODUCED IN WHOLE OR IN PART FOR ANY PURPOSE WITHOUT PRIOR WRITTEN PERMISSION OF ROMAC IND., INC.</p>	<p>UNLESS OTHERWISE SPECIFIED</p> <p>DIMENSIONS ARE IN INCHES</p> <p>TOLERANCES ARE ON: 1 PL DECIMALS ± .060 2 PL DECIMALS ± .030 3 PL DECIMALS ± .010 ANGLES ± 1° FRACTIONS ± 1/64</p>	SIGNATURES		<p>ROMAC INDUSTRIES INC., BOTHELL, WA</p>				
		DRAWN		<p>TITLE</p> <p>EQUIPMENT CONNECTION FITTING, ECF400 3" - 12" 175 PSI & 275 PSI</p>				
		CHECKED		<p>DWG. NO. B2340-A</p> <p>SIZE A</p> <p>REV. NO. R0</p> <p>SCALE NTS</p> <p>SHEET 1 OF 1</p>				
		APPROVAL ORGANIZATIONS						
		ENGINEERING						