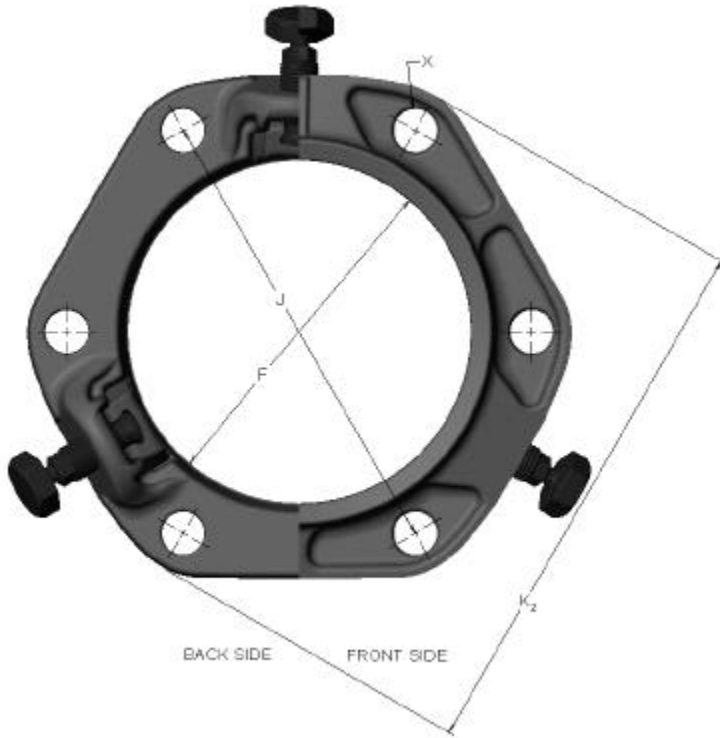
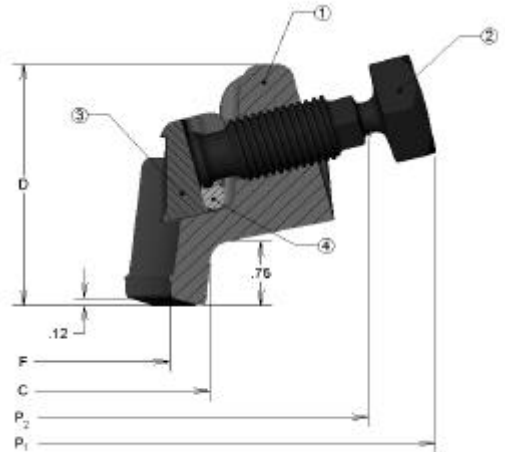
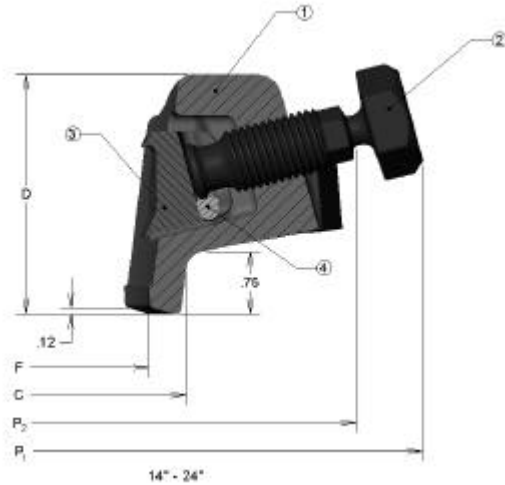


## ROMAGRIP MECHANICAL JOINT RESTRAINING GLAND



- 1 Gland
- 2 Restraining Bolt
- 3 Lug
- 4 Lug Locator



Nominal Pipe Size	O.D.	Catalog Number	Working Pressure	Test Pressure	No. of Lugs	Approx. Weight	P <sub>1</sub> *	P <sub>2</sub> **	C	D	K <sub>2</sub>	F	J	X
3	3.96	3" RG	350psi	700psi	2	6.0	10.4	8.9	4.8	2.5	7.8	4.1	6.2	3/4
4	4.80	4" RG	350psi	700psi	2	7.5	11.2	9.7	5.9	2.6	9.1	5.0	7.5	7/8
6	6.90	6" RG	350psi	700psi	3	11.0	13.4	11.8	8.0	2.8	11.1	7.1	9.5	7/8
8	9.05	8" RG	350psi	700psi	4	16.5	15.5	14.0	10.2	2.9	13.3	9.3	11.8	7/8
10	11.10	10" RG	350psi	700psi	6	23.0	17.3	15.8	12.2	2.9	15.7	11.4	14.0	7/8
12	13.20	12" RG	350psi	700psi	8	29.5	19.5	18.0	14.3	2.9	18.1	13.5	16.3	7/8
14	15.30	14" RG	350psi	700psi	10	43.5	22.0	20.5	16.4	2.9	20.6	15.5	18.8	7/8
16	17.40	16" RG	350psi	700psi	12	51.3	24.1	22.6	18.5	3.0	22.9	17.6	21.0	7/8
18	19.50	18" RG	250psi	500psi	12	58.3	26.3	24.8	20.6	3.0	25.1	19.7	23.3	7/8
20	21.60	20" RG	250psi	500psi	14	67.0	28.4	26.9	22.7	3.1	27.4	21.8	25.5	7/8
24	25.80	24" RG	250psi	500psi	16	84.5	32.6	31.1	26.8	3.2	31.9	26.0	30.0	7/8
30	32.00	30" RG	250psi	500psi	20	250.0	43.5	42.6	33.2	4.0	39.5	32.3	36.9	1 1/8
36	38.30	36" RG	250psi	500psi	24	325.0	50.0	49.3	39.5	4.4	46.4	38.6	43.8	1 1/8
42	44.50	42" RG	250psi	500psi	28	479.0	56.3	55.4	45.7	5.0	53.5	44.8	50.6	1 3/8
48	50.80	48" RG	250psi	500psi	32	594.0	62.6	61.8	52.0	5.4	60.4	51.1	57.5	1 3/8

Romac Drawing Number: B2037-A

Drawn By: Joe Payne

Date: 8/02

B2037-A