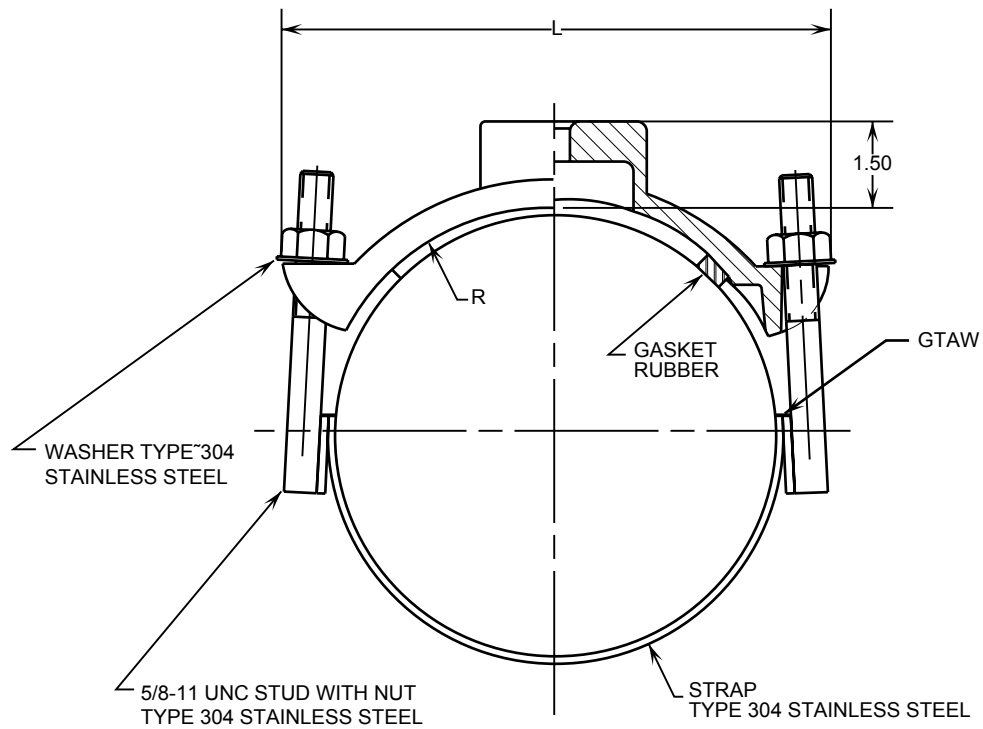
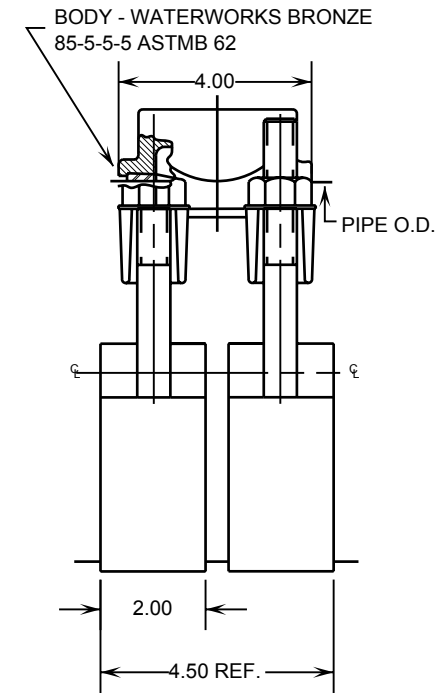



B1430-A



REVISIONS			
REV	DESCRIPTION	DATE	APPROVED
1	CHANGED L DIMENSION ON 4", 6" & 12"	5/7/01	PRESCOTT
2	ADDED 14"	5/7/01	PRESCOTT
3	ADDED 16"	5/7/01	PRESCOTT
4	ADDED STRAP AND BOLT LENGTH	5/8/01	PRESCOTT
5	ADDED 4.50-4.80" AND 17.32-17.45	11/4/13	PRESCOTT



NOMINAL SIZE	RANGE	LENGTH (L)	RADIUS (R)	STRAP LENGTH	BOLT LENGTH
4	4.50 - 4.80	6.90	2.40	6.31	5.50
	4.80 - 5.40	7.50	2.70	6.31	5.50
6	6.63 - 7.50	8.44	3.75	12.00	5.50
8	8.63 - 9.62	10.25	4.81	16.00	5.50
10	10.00 - 10.75	10.38	5.38	19.25	7.00
	11.10 - 12.12	12.38	6.06	22.00	5.50
12	12.00 - 12.75	12.50	6.38	24.44	5.50
	13.20 - 14.38	14.25	7.19	26.25	5.50
14	14.40 - 16.00	14.87	8.00	28.38	7.00
16	16.00 - 17.40	15.00	8.70	32.75	7.00
	17.32 - 17.45	15.00	8.70	34.75	7.00

UNLESS OTHERWISE SPECIFIED	SIGNATURES	DATE	 ROMAC IND. INC., SEATTLE WA
DIMENSIONS ARE IN INCHES	DRWN JACQUIE GREGOR	3/28/97	
TOLERANCES ARE ON:	CHECKED		
2 PL DECIMALS +/-	ENGRG		
3 PL DECIMALS +/-	ISSUED		TITLE
ANGLES +/-			202BS BRONZE SADDLE
FRACTIONS +/-			SIZE
			B
			DWG. NO.
			B1430-A
			SCALE
			NTS
			SHEET 1 OF 1