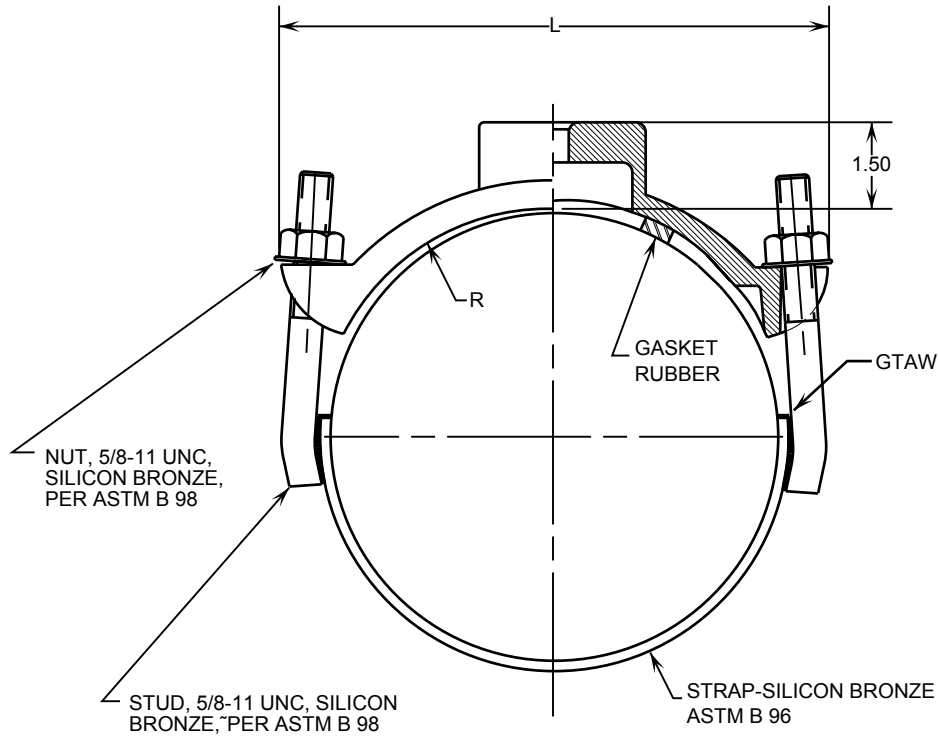
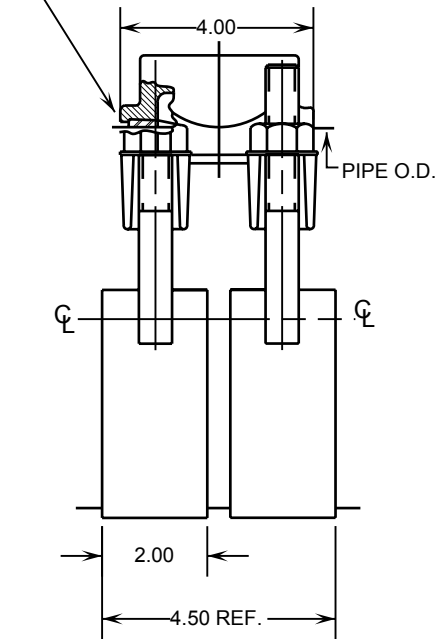


B1429-A

REVISIONS			
REV	DESCRIPTION	DATE	APPROVED
1	CHANGED L DIMENSION ON 4",6" & 12"	5/7/01	PRESCOTT
2	ADDED 14"	5/7/01	PRESCOTT
3	ADDED 16"	5/7/01	PRESCOTT
4	ADDED 4.50 - 4.80 AND 17.32-17.45	11/4/13	PRESCOTT




BODY - WATERWORKS BRONZE 85-5-5"
ASTM B 62



BOLT LENGTH

NOMINAL SIZE	RANGE	LENGTH (L)	RADIUS (R)	STRAP LENGTH	BOLT LENGTH
4	4.50 - 4.80	6.90	2.40	6.31	5.50
	4.80 - 5.40	7.50	2.70	6.31	5.50
6	6.63 - 7.50	8.44	3.75	12.00	5.50
8	8.63 - 9.62	10.25	4.81	16.00	5.50
10	10.00 - 10.75	10.38	5.38	20.50	5.50
	11.10 - 12.12	12.38	6.06	21.25	5.50
12	12.00 - 12.75	12.50	6.38	24.44	5.50
	13.20 - 14.38	14.25	7.19	25.38	5.50
14	14.40 - 16.00	14.87	8.00	30.25	5.50
16	16.00 - 17.40	15.00	8.70	35.00	5.50
	17.32 - 17.45	15.00	8.70	37.00	5.50

UNLESS OTHERWISE SPECIFIED	SIGNATURES	DATE	 <p>ROMAC IND. INC., SEATTLE WA</p>
DIMENSIONS ARE IN INCHES	DRWN JACQUIE GREGOR	3/27/97	
TOLERANCES ARE ON:	CHECKED		
2 PL DECIMALS +/-	ENGRD		
3 PL DECIMALS +/-	ISSUED		TITLE
ANGLES +/-			202B BRONZE SADDLE
FRACTIONS +/-			SIZE
			B
			DWG. NO.
			B1429-A
			SCALE
			NTS
			SHEET 1 OF 1