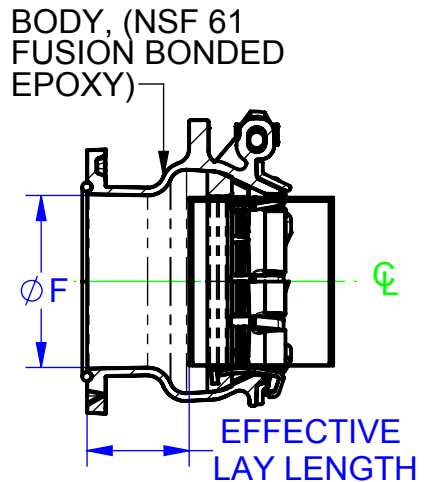


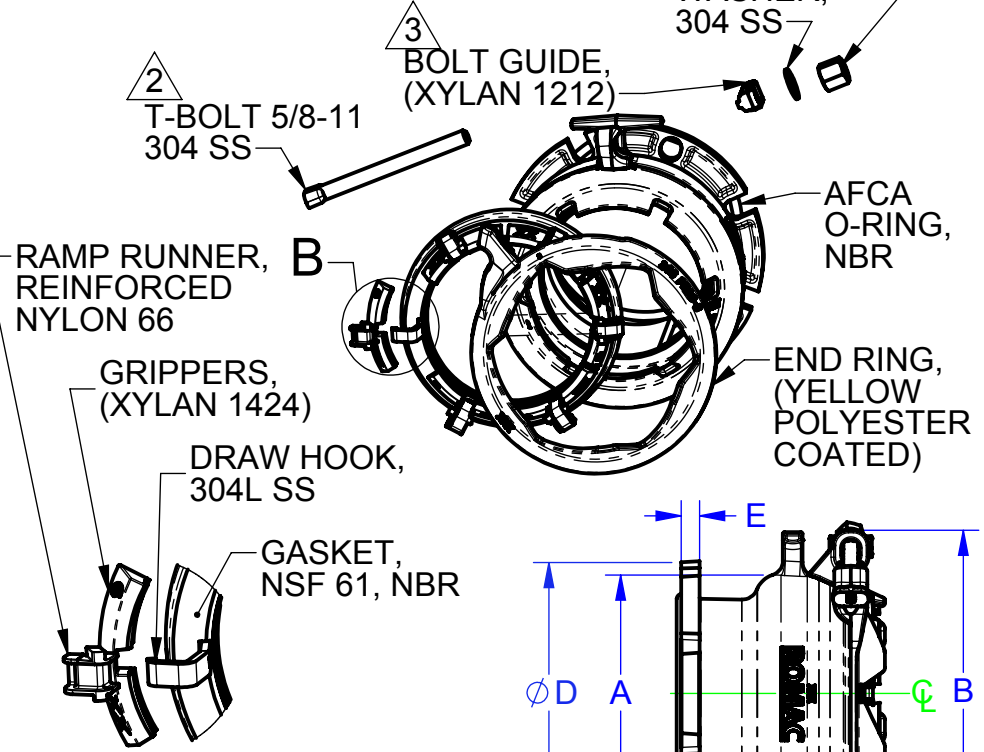
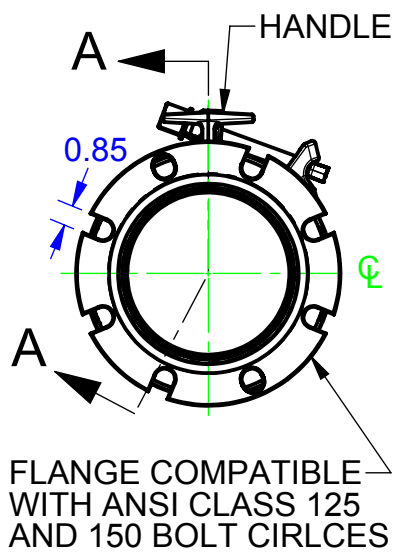
SIZE	PIPE OD RANGE	BODY OD	HEIGHT	LENGTH	FLANGE OD	FLANGE THICKNESS	FLANGE ID	MAX DEFLECTION (DEGREES)	APPX. WEIGHT (LBS)	EFFECTIVE LAY LENGTH
		∅A	B	C	∅D	E	∅F			
4	4.80-5.10	7.84	10.13	8.38	9.00	0.77	5.19	2	29	4.16
6	6.90-7.10	9.92	12.22	8.49	11.00	0.77	7.27	2	40	4.25
8	9.05-9.40	13.32	14.81	10.14	13.50	0.77	9.29	2	57	3.97
10	11.10-11.45	15.44	17.15	10.37	16.00	0.77	11.54	2	82	4.20
12	13.20-13.60	17.49	19.68	10.87	19.00	0.81	13.69	2	105	4.69

REVISIONS				
REV	DESCRIPTION	SHEET #	DATE	EDITOR
R0	A INITIAL RELEASE	1	7/8/19	TJM

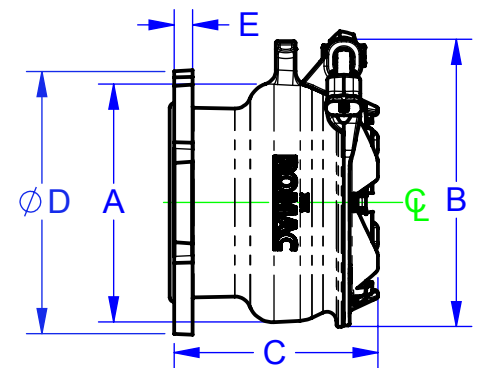
FOR CUSTOMER USE



SECTION A-A



**DETAIL B
SCALE 1 : 4**



- NOTES:**
1. ALL MATERIALS ASTM A536 GRADE 65-45-12 DUCTILE IRON UNLESS OTHERWISE SPECIFIED.
 2. FASTENER MATERIAL: TYPE 304 STAINLESS STEEL, 316 AVAILABLE UPON REQUEST.
 3. BOLT GUIDE COATED BLACK XYLAN 1212. E-COAT UPON REQUEST.
 4. 4-12 SIZES PRESSURE RATING IS 350 PSI.

<p>PROPRIETARY NOTICE</p> <p>THIS DRAWING CONTAINS CONFIDENTIAL PROPRIETARY INFORMATION AND IS THE PROPERTY OF ROMAC IND., INC. IT IS TO BE USED ONLY FOR THE PURPOSE FOR WHICH IT WAS SUBMITTED AND SHALL NOT HAVE ITS INFORMATION DISCLOSED OR REPRODUCED IN WHOLE OR IN PART FOR ANY PURPOSE WITHOUT PRIOR WRITTEN PERMISSION OF ROMAC IND., INC.</p>		<p>UNLESS OTHERWISE SPECIFIED</p> <ul style="list-style-type: none"> • DIMENSIONS ARE IN INCHES • DRAWING NOT PERFECTLY TO SCALE 		<p>SIGNATURES</p> <p>DRAWN Tyler Matthews</p> <p>APPROVED James Protzeller</p>		<p>DATE</p> <p>7/8/2019</p> <p>7/12/2019</p>		<p>ROMAC INDUSTRIES INC.</p> <p>TITLE ALPHA FLANGE COUPLING ADAPTER, 4-12 INCH, XL</p>				
<p>MODEL NAME: ALPHA, FLANGE COUPLING ADAPTER, ASSEMBLY, 4 INCH, XL MODEL CAD #: CAD-045790</p>		<p>CONFIGURATION NAME: Default</p>		<p>THIRD ANGLE PROJECTION</p>		<p>LEGACY DRAWING #: DRAWING FILE NAME: ALPHA, FLANGE COUPLING ADAPTER, 4-12 INCH, XL</p>		<p>AUTHOR: Tyler Matthews</p>				
				<p>DWG. NO. CAD-045685</p>		<p>SIZE A</p>	<p>REV. NO. R0</p>	<p>SCALE 1:8</p>	<p>SHEET 1 OF 1</p>			

RELEASED