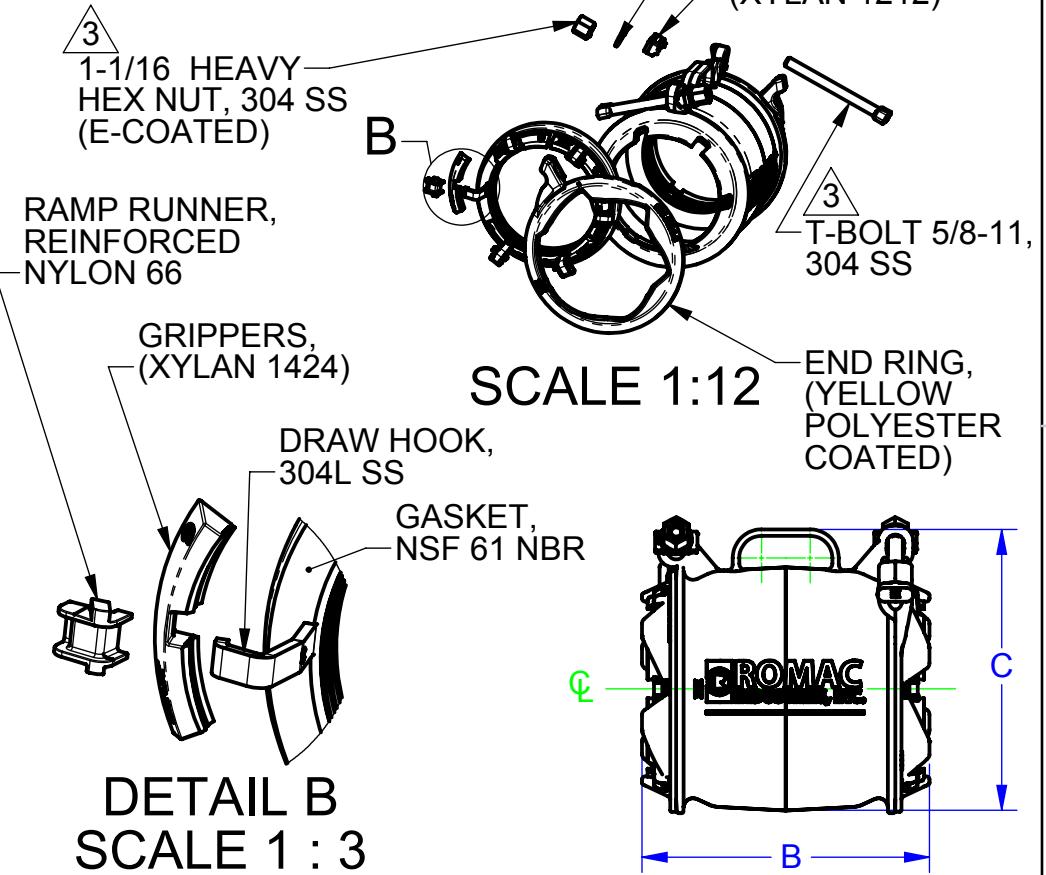
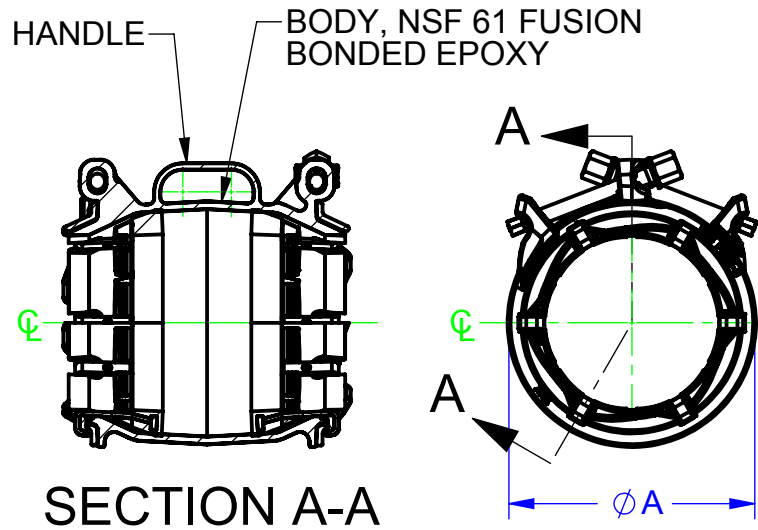


SIZE	PIPE OD RANGE	BODY OD	LENGTH	HEIGHT	MAX PRESSURE (PSI)	MAX DEFLECITON (DEGREES)	APPX. WEIGHT (LBS)
		A	B	C			
4	4.80-5.10	8.13	11.80	9.76	350	4	40
6	6.90-7.10	10.35	11.98	11.98	350	4	50
8	9.05-9.40	13.47	13.23	15.11	350	4	75
10	11.10-11.45	15.56	13.25	17.18	350	4	95
12	13.20-13.60	17.58	13.31	19.21	350	4	100

REVISIONS					
REV.	DESCRIPTION	SHEET #	DATE	EDITOR	
R0	A	INITIAL RELEASE	1	4/26/19	TJM



SCALE 1:12

DETAIL B
SCALE 1 : 3

- NOTES:
1. ALL MATERIALS ASTM A536 GRADE 65-45-12 DUCTILE IRON UNLESS OTHERWISE SPECIFIED
 2. MINIMUM PIPE INSERTION IS 4 INCHES
 3. FASTENER MATERIAL: TYPE 304 STAINLESS STEEL, 316 AVAILABLE UPON REQUEST
 4. BOLT GUIDE COATING BLACK XYLAN 1212. BLACK E-COAT UPON REQUEST

FOR CUSTOMER USE

RELEASED

<p>PROPRIETARY NOTICE</p> <p>THIS DRAWING CONTAINS CONFIDENTIAL PROPRIETARY INFORMATION AND IS THE PROPERTY OF ROMAC IND., INC. IT IS TO BE USED ONLY FOR THE PURPOSE FOR WHICH IT WAS SUBMITTED AND SHALL NOT HAVE ITS INFORMATION DISCLOSED OR REPRODUCED IN WHOLE OR IN PART FOR ANY PURPOSE WITHOUT PRIOR WRITTEN PERMISSION OF ROMAC IND., INC.</p>		<p>UNLESS OTHERWISE SPECIFIED</p> <ul style="list-style-type: none"> DIMENSIONS ARE IN INCHES DRAWING SCALE NOT PERFECTLY TO SCALE 		<p>SIGNATURES</p> <p>DRAWN Tyler Matthews</p> <p>APPROVED Caitlin Boone</p>		<p>DATE</p> <p>4/26/2019</p> <p>7/8/2019</p>		<p>ROMAC INDUSTRIES INC.</p> <p>TITLE ALPHA COUPLING, 4-12 INCH, XL</p>											
<p>MODEL NAME: ALPHA, COUPLING, ASSEMBLY, 4 INCH, XL MODEL CAD #: CAD-045815</p>		<p>CONFIGURATION NAME: Default</p>		<p>THIRD ANGLE PROJECTION</p>		<p>LEGACY DRAWING #: DRAWING FILE NAME: ALPHA, COUPLING, 4-12 INCH, XL</p>		<p>DWG. NO. CAD-045681</p>		<p>SIZE A</p>		<p>REV. NO. R0</p>		<p>SCALE 1:8</p>		<p>SHEET 1 OF 1</p>		<p>AUTHOR: Tyler Matthews</p>	