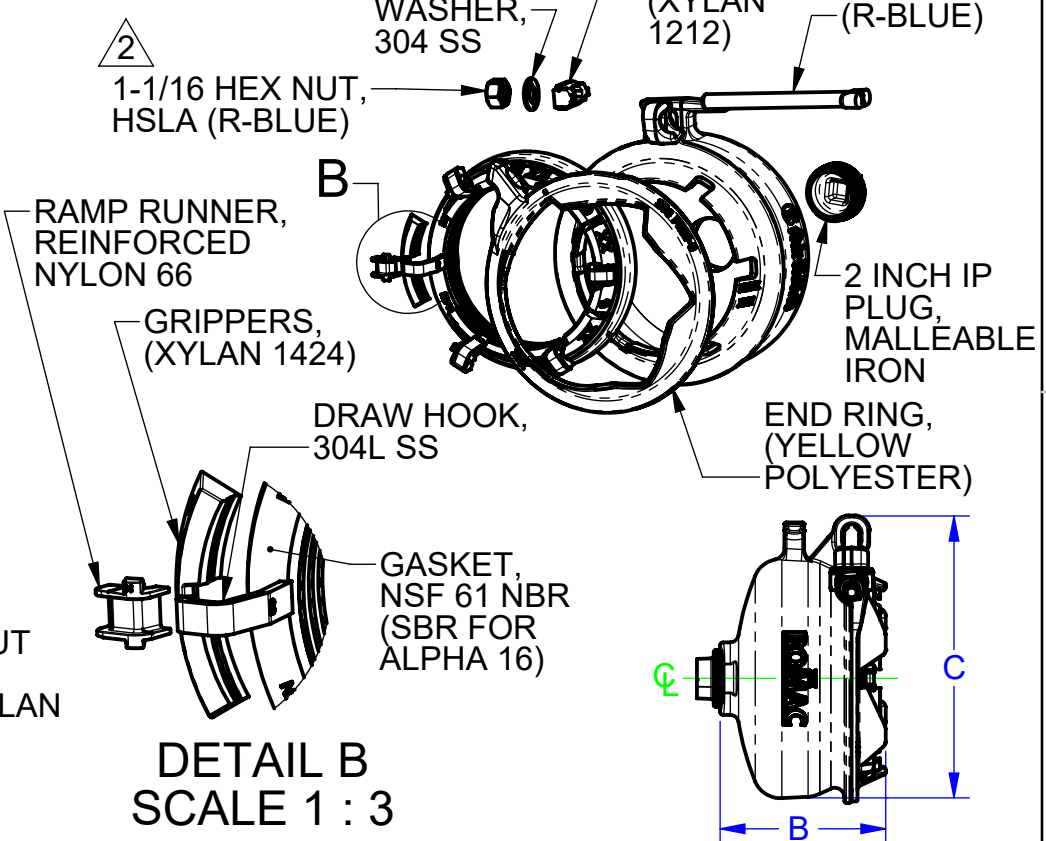
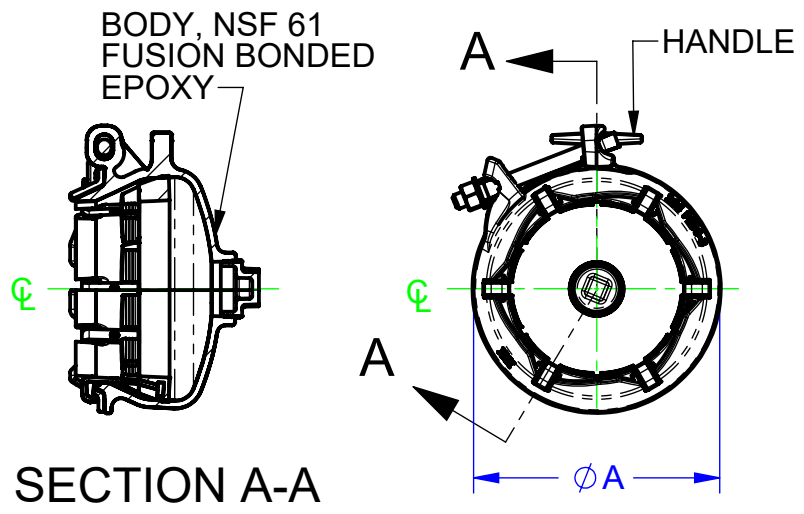


SIZE	PIPE OD RANGE	BODY OD	LENGTH	HEIGHT	MAX PRESSURE [PSI]	MAX DEFLECTION PER SIDE (TOP OF RANGE) [DEGREES]	APPX. WEIGHT [LBS]
		∅A [A]	B [A]	C [A]			
4	4.80-5.10	8.1	7.4	9.8	350	4 (2)	21
6	6.90-7.10	10.4	7.9	12.0	350	4 (2)	30
8	9.05-9.40	13.4	9.7	15.1	350	4 (2)	52
10	11.10-11.45	15.5	9.9	17.1	350	4 (2)	63
12	13.20-13.60	17.5	10.3	19.2	350	4 (2)	78
16	17.40-17.85	23.7	12.0	25.6	350	2 (1)	180

REVISIONS			
REV.	DESCRIPTION	DATE	EDITOR
R2	A	8/2/21	CMB
DIMENSIONS UPDATED			



- NOTES:**
1. ALL MATERIALS ASTM A536 GRADE 65-45-12 DUCTILE IRON UNLESS OTHERWISE SPECIFIED.
  2. FASTENER MATERIAL: HSLA, R-BLUE COATED NUT AND BOLT. WASHER IS 304 SS.
  3. BOLT GUIDE COMES STANDARD WITH BLACK XYLAN 1212 COATING. BLACK E-COAT AVAILABLE UPON REQUEST.
  4. REFER TO INSTALLATION INSTRUCTIONS FOR MINIMUM INSERTION DEPTH

FOR CUSTOMER USE

RELEASED

<p>PROPRIETARY NOTICE</p> <p>THIS DRAWING CONTAINS CONFIDENTIAL PROPRIETARY INFORMATION AND IS THE PROPERTY OF ROMAC IND., INC. IT IS TO BE USED ONLY FOR THE PURPOSE FOR WHICH IT WAS SUBMITTED AND SHALL NOT HAVE ITS INFORMATION DISCLOSED OR REPRODUCED IN WHOLE OR IN PART FOR ANY PURPOSE WITHOUT PRIOR WRITTEN PERMISSION OF ROMAC IND., INC.</p>		<p>UNLESS OTHERWISE SPECIFIED</p> <ul style="list-style-type: none"> <li>• DIMENSIONS ARE IN INCHES</li> <li>• DIMENSIONS NOT PERFECTLY TO SCALE</li> </ul>		<p>SIGNATURES</p> <p>DRAWN Caitlin Boone</p> <p>APPROVED James Protzeller</p>		<p>DATE</p> <p>8/2/2021</p> <p>8/6/2021</p>		<p>ROMAC INDUSTRIES INC.</p> <p>TITLE ALPHA END CAP, 4-16 INCH, XL</p>											
<p>MODEL NAME: ALPHA, END CAP, ASSEMBLY, 4 INCH, XL MODEL CAD #: CAD-045807</p>		<p>CONFIGURATION NAME: Default</p>		<p>THIRD ANGLE PROJECTION</p>		<p>LEGACY DRAWING #: DRAWING FILE NAME: ALPHA, END CAP, ASSEMBLY, 4-12 INCH, XL</p>		<p>DWG. NO. CAD-045674</p>		<p>SIZE A</p>		<p>REV. NO. R2</p>		<p>SCALE 1:8</p>		<p>SHEET 1 OF 1</p>		<p>AUTHOR: Tyler Matthews</p>	