



**Everyone could
use a little more
exercise.**

**So
could
your
valves.**

THE EXERCISER

VALVE EXERCISING MACHINE



Transmate

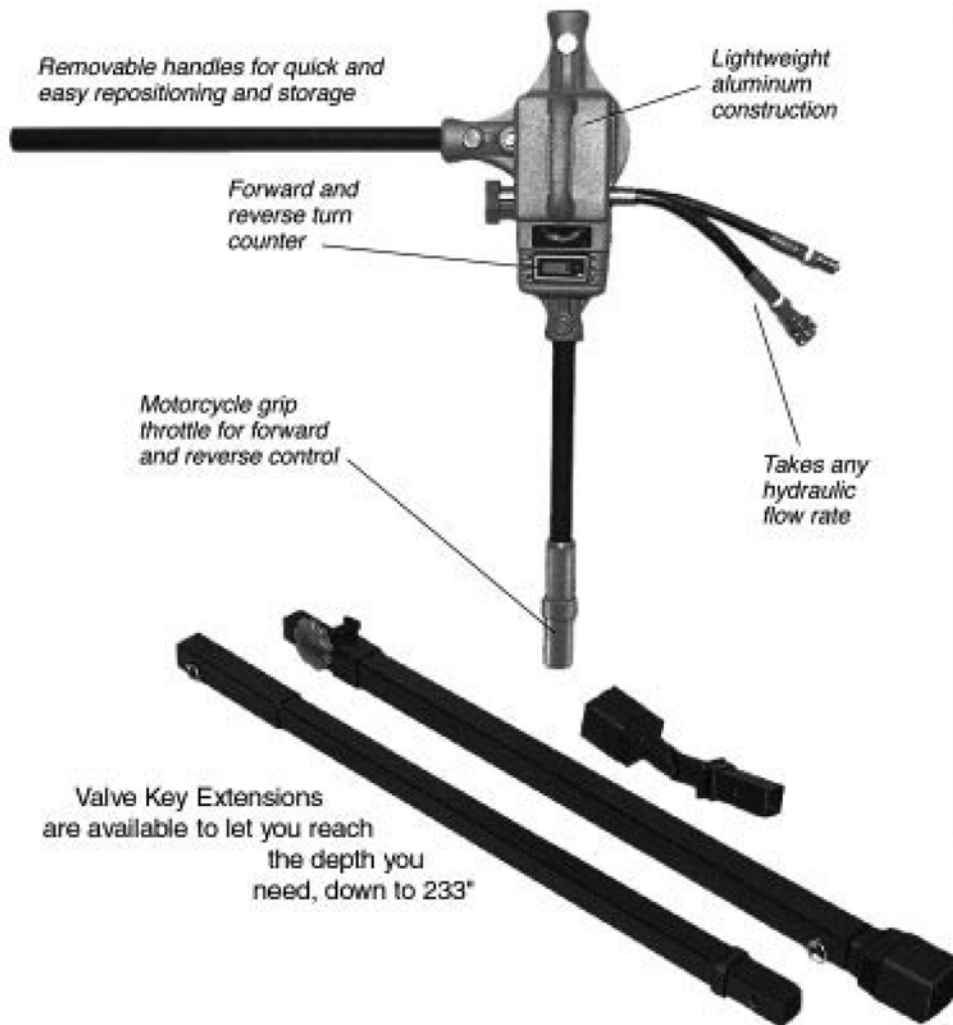
a Division of Romac Industries, Inc.

21919 20th Avenue South, Bothell, WA 98021

Toll Free 1-800-426-9341 www.romacindustries.com

Take a turn for the better..

The hydraulic valve Exerciser™ from Transmate will streamline your municipal valve testing by putting the strength of two people into the hands of one



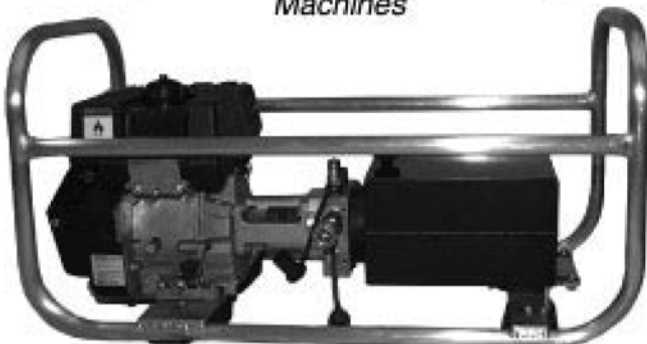
Designed for safety, speed and efficiency

- Three handle sockets, each with a lock pin, so handles can be positioned for use by one person (90° handles) or two people (180° handles).
- Variable torque control, up to 250 ft-lbs., for increased safety.
- Motorcycle grip throttle with "quick kill" collar gives forward and reverse control with a turn of the wrist.
- Lightweight, compact aluminum construction for easy handling and storage.
- Simple lock button converts the Exerciser to a manual wrench for stuck valves.

For more information and the name of the distributor in your area, call toll free

1-800-426-9341

Transmate's Multi-Purpose Hydraulic Drive powers The Exerciser, as well as the TapMate and TapMate Too Drilling Machines



Transmate

a Division of Romac Industries, Inc.
21919 20th Avenue South,
Bothell, WA 98021
Toll Free 1-800-426-9341
www.romacindustries.com