

# CB SEWER SADDLE



## CB SEWER SADDLE DESIGN ADVANTAGES

- **SIMPLE INSTALLATION**

The CB sewer saddle can be installed simply by using a socket wrench or open-end wrench.

- **FLEXIBILITY**

Able to conform to pipes of different diameters, the gasket also allows considerable deflection due to earth movement. The gasket's large sealing surface and wide band strongly resist displacement.

- **SUPERIOR STRAP**

The 304 stainless steel band accommodates a wide range of pipe sizes. The stainless welds are fully passivated (chemically treated after welding to produce a highly corrosion resistant coating). The wide strap distributes the clamping force across the 3½" width.

- **INVENTORY REDUCTION**

The CB sewer saddle fits a wide range of pipe diameters.

- **RELIABILITY**

Continuous rubber connection between rim and branch eliminates potential leak spots. Saddles have been tested to pressures well in excess of typical service test requirements.

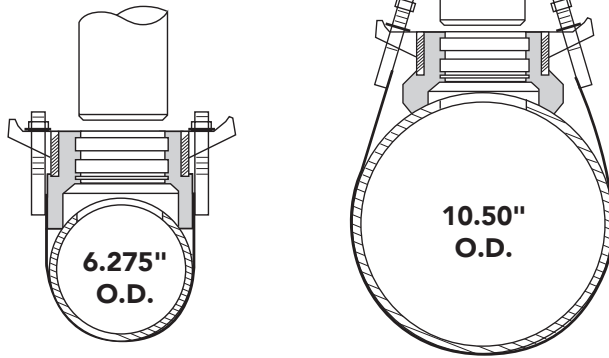
**NOTE:** A pipe stop capable of withstanding 1,000 pounds of thrust is molded into the CB saddle gasket. Care must be taken during system design and installation to assure that this thrust limit is not exceeded.



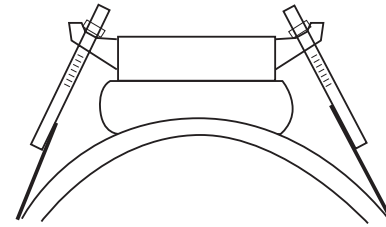
A ROMAC ORIGINAL  
Patent #4494780

# ONE SIZE FITS ALL SEWER SADDLE

Same saddle conforming to different outside diameters.



Saddle conforming to pipe.



## MATERIAL SPECIFICATIONS

**CASTINGS:** Ductile iron per ASTM 536, Grade 65-45-12. Protected with a yellow shopcoat.

**ADJUSTABLE STRAP:** 3 1/2" wide, stainless steel per ASTM A 240, type 304.

**BOLTS:** 1/2" UNC rolled thread, lubricant coated, stainless steel per ASTM A 193, type 304.

**NUTS:** Stainless steel per ASTM A 194, type 304.

**WASHERS:** Stainless steel per ASTM A 240, type 304 and plastic lubricating washers.

**GASKET:** SBR per ASTM D 2000 MBA 710, compounded for water and sewer service. Other compounds available on request.

NOM. BRANCH SIZE	NOM. PIPE SIZE	RANGE	BRANCH TYPE	BRANCH O.D.	CATALOG NUMBER	APPROX. WEIGHT (lbs.)
4"	6" - 12" 48" strap	26.27 - 14.40 Regular Gasket	PVC Sewer	4.215	CB-4.215	10 #
			Tyseal	4.28	CB-4.28	
			C.I. Soil-No Hub	4.38	CB-4.38	
			PVC	4.50	CB-4.50	
			Universal <sup>1</sup>	4.20 - 4.80	CB-4.80UN <sup>1</sup>	
	14" - 24" 96" strap	14.40 - 25.80 Large O.D. Gasket	PVC Sewer	4.215	CB-4.215LS	11 #
			Tyseal	4.28	CB-4.28LS	
			C.I. Soil-No Hub	4.38	CB-4.38LS	
			PVC	4.50	CB-4.50LS	
			Universal <sup>1</sup>	4.20 - 4.80	CB-4.80UNLS <sup>1</sup>	
	24" - 48" 192" strap	25.80 - 54.00 Large O.D. Gasket	PVC Sewer	4.215	CB-4.215XLS	13 #
			Tyseal	4.28	CB-4.28XLS	
			C.I. Soil-No Hub	4.38	CB-4.38XLS	
			PVC	4.50	CB-4.50XLS	
			Universal <sup>1</sup>	4.20 - 4.80	CB-4.80UNXLS <sup>1</sup>	
6"	8" - 12" 48" strap	28.00 - 14.40 Regular Gasket	PVC Sewer	6.27 - 6.30	CB-6.30	12 #
			C.I. Soil-No Hub	6.27 - 6.30	CB-6.30LS	
			Universal <sup>1</sup>	6.27 - 6.66	CB-6.66UN <sup>1</sup>	
			Cast Iron-D.I.	6.90	CB-6.90	
	14" - 24" 96" strap	14.40 - 25.80 Large O.D. Gasket	PVC Sewer	6.27 - 6.30	CB-6.30LS	13 #
			C.I. Soil-No Hub	6.27 - 6.30	CB-6.30LS	
			Universal <sup>1</sup>	6.27 - 6.66	CB-6.66UNLS <sup>1</sup>	
			Cast Iron-D.I.	6.90	CB-6.90LS	
			Clay <sup>1</sup>	7.19 - 8.00	CB-8.00LS <sup>1</sup>	
	24" - 48" 192" strap	25.80 - 54.00 Large O.D. Gasket	PVC Sewer	6.27 - 6.30	CB-6.30XLS	15 #
			C.I. Soil-No Hub	6.27 - 6.30	CB-6.30XLS	
			Universal <sup>1</sup>	6.27 - 6.66	CB-6.66UNXLS <sup>1</sup>	
			Cast Iron-D.I.	6.90	CB-6.90XLS	
			Clay <sup>1</sup>	7.19 - 8.00	CB-8.00XLS <sup>1</sup>	

<sup>1</sup> CB Sewer Saddles for Universal and Clay pipe include stainless steel hose clamp.

<sup>2</sup> Regular gaskets are NOT interchangeable with large gaskets.