

INSTALLATION INSTRUCTIONS

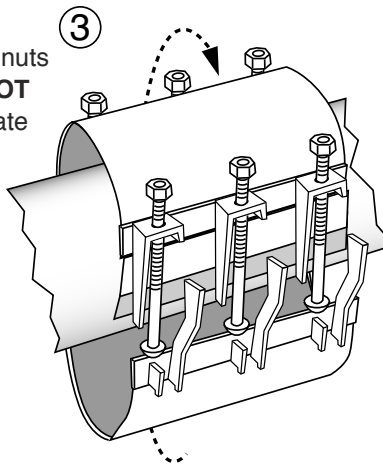
Read installation instructions first before installing. Check parts to ensure that no damage has occurred during transit and that no parts are missing. Also check the diameter of the pipe and the range marked on the clamp to ensure you have the proper size.

Style SL2 Stainless Lug Pipe Repair Clamp

Step 1 • Check the clamp parts to insure that no damage has occurred during transit and that no parts are missing. Thoroughly clean pipe surface that will be covered by the clamp. A suitable gasket lubricant should be used on rough surfaced pipe (Iron and A/C) to assure proper seal.

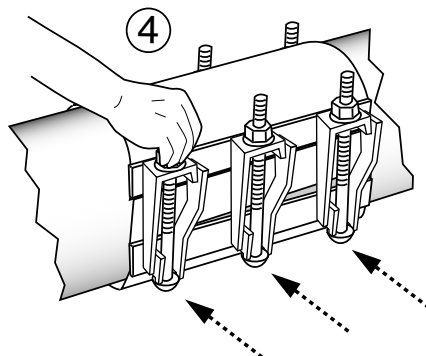
Step 2 • Place reference marks on the pipe in line with the crack or hole in the pipe, slightly wider than the clamp.

Step 3 • Back off nuts to end of bolts, but **DO NOT REMOVE THEM**. Separate clamp halves and place one half on top of the pipe.

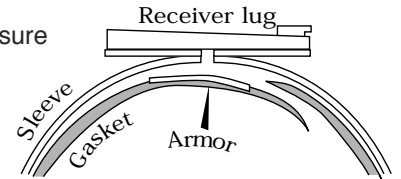


Step 4 • Slide the other half into place and snap the bolt heads into the open lugs. Tighten almost finger tight.

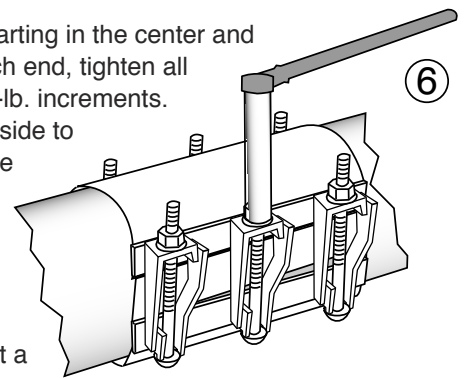
NOTE: If necessary (because of water pressure), Step 3 and Step 4 can be performed beside the pipe break. Slide the clamp over the break after the bolt heads have been snapped in place.



Step 5 • Make sure the tails are properly overlapped, and are not folded. Clamp may be rotated to facilitate seating of the tails. Center one of the sections over the crack or hole being repaired (check reference marks).



Step 6 • Starting in the center and working toward each end, tighten all nuts evenly in 20 ft-lb. increments. Alternate from one side to the other to equalize the gap between halves, keeping torques as evenly balanced as possible. Use a wrench with at least a 12" handle.



Note:

75 ft-lbs. =
12" wrench
w/ 75 lb. force

Nom. Pipe Diameter	Torque
4" and above	75-85 ft-lbs.

For best results, wait 10 minutes and then retighten bolts to proper torque.

Stainless Lug Pipe Repair Clamp Style SL2

PRECAUTIONS

1. Check diameter of pipe to make sure you are using the correct size clamp.
2. Clean pipe to remove dirt and corrosion from the surface.
3. Place marks on the pipe to reference the leak. Use these marks to assure that the clamp is properly positioned.
4. Make sure no foreign materials stick to the gasket as it is brought around the pipe, nor become lodged between gasket and pipe as nuts are tightened.
5. Avoid loose fitting wrenches, or wrenches too short to achieve proper torque.
6. Keep threads free of foreign material to facilitate tightening.
7. Bolts are often not tightened enough when a torque wrench is not used. Take extra care in this situation to make sure proper tightening occurs.
8. Pressure test for leaks before backfilling.
9. Backfill and compact carefully around clamp.
10. When reinstalling parts with stainless steel hardware there may be a loss in pressure holding ability due to worn or damaged threads during the original installation.

COMMON INSTALLATION PROBLEMS

1. Bolts are not tightened to the proper torque.
2. Rocks or debris between pipe and gasket.
3. Dirt on threads of bolts or nuts.
4. Repair clamp too small for the size of damage to pipe.
5. Repair clamp not centered over damaged portion of pipe.
6. Repair clamps should not be used as couplings.
7. Gaps between sections are not equal.