

INSTALLATION INSTRUCTIONS

Read installation instructions first before installing. Check parts to ensure that no damage has occurred during transit and that no parts are missing. Check the pipe diameter and coupling specifications (on label) to ensure that you have the proper coupling for your application.

Armor Link™

Stainless Steel Coupling



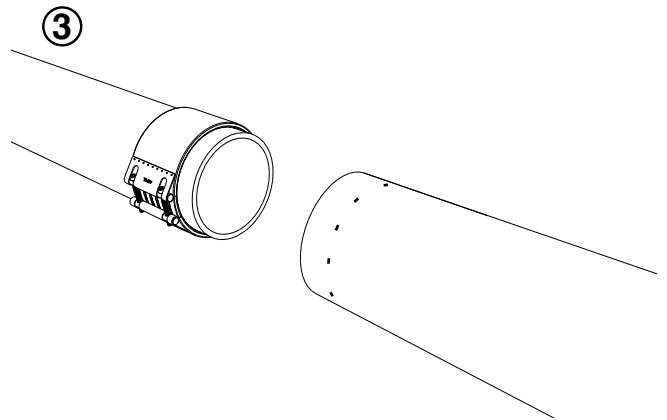
The Armor Link™ is not designed to withstand the weight or the axial forces of the pipe. Confirm that the product label matches your application.

Armor Link™ is compatible with steel, CI, DI, A/C, Concrete, PVC and HDPE pipe.

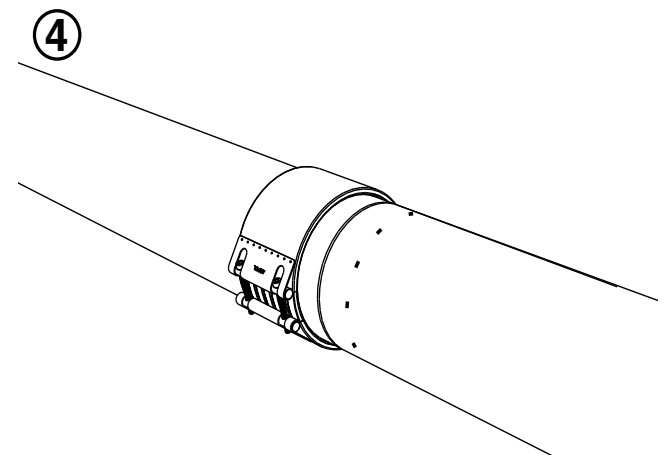
Pipe stiffeners are required on HDPE pipe.

SIZE (inches)	RANGE (inches)	WORKING PRESSURE (PSI)	ALLOWABLE DEFLECTION	MAX OD DIF.	BOLT TORQUE (ft-lbs)	WRENCH SIZE (MM hex key)
4.50	4.41 - 4.61	435	2°	0.10	8	6
4.80	4.76 - 4.84	290	2°	0.10	8	6
6.63	6.54 - 6.73	330	2°	0.10	15	10
6.90	6.77 - 7.01	330	2°	0.10	15	10
8.63	8.54 - 8.78	260	2°	0.10	20	10
9.05	8.82 - 9.06	260	2°	0.10	20	10
10.75	10.63 - 10.87	215	2°	0.10	20	10
11.10	10.94 - 11.18	215	2°	0.10	20	10
12.75	12.60 - 12.83	230	2°	0.10	25	10
13.20	13.15 - 13.39	230	2°	0.10	25	10
17.40	17.32 - 17.56	230	2°	0.10	25	10
25.80	25.79 - 25.91	230	2°	0.12	45	14

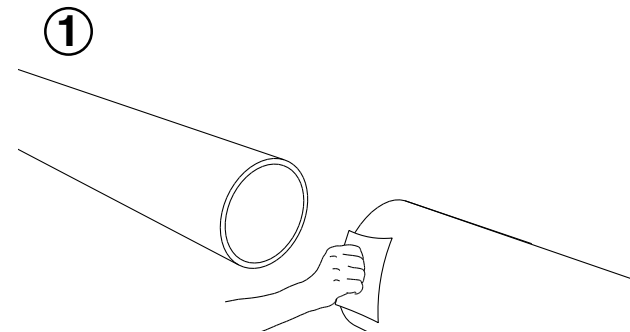
Step 3 • Slide the coupling over one pipe end without opening the coupling.



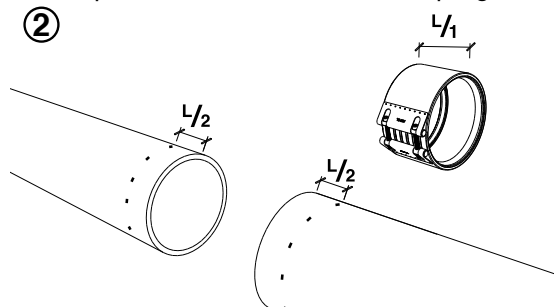
Step 4 • Bring the other pipe end to a facing position. Make sure the pipes are aligned concentrically and that both pipe ends are correctly supported. See tolerances indicated on the label.



Step 1 • Clean and eliminate any irregularities on the pipe ends.

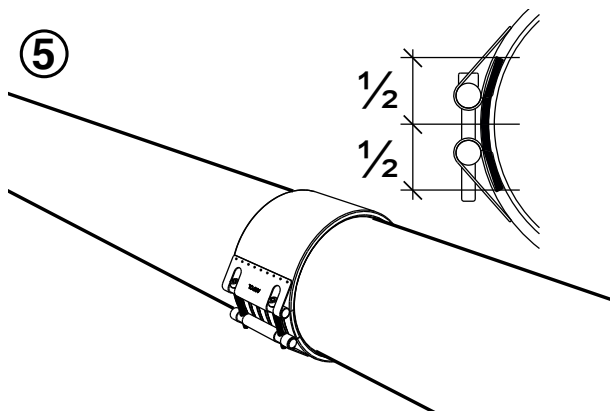


Step 2 • On each pipe end, make a mark at a distance equal to half the width of the coupling.

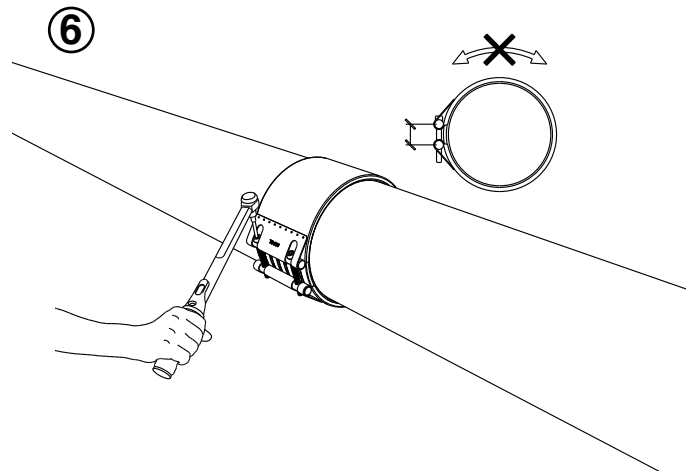


Armor Link™ Stainless Steel Coupling

Step 5 • Place the coupling between the marks and make sure that the armor is correctly placed under the bolts.



Step 6 • Do not rotate the coupling or the pipe during tightening. If there are three bolts, start with the center bolt, and begin tightening the bolts alternately and evenly to the required torque.



NOTE: Do not exceed the torque requirements indicated on the product label.

Step 7 • If necessary, you may hydraulically test the coupling up to 1.5 times the working pressure shown on the product label.

HELPFUL HINTS

1. Be sure that the bolts are tightened to the proper torque shown on the label.
2. Eliminate any rocks or debris between pipe and gasket.
3. Eliminate any dirt on threads of bolts or nuts.
4. Pressure test for leaks before backfilling.
5. Backfill and compact carefully around coupling.
6. Reusing parts with stainless steel hardware may lead to a loss in pressure holding ability due to wear.
7. Make sure you have the proper size coupling.