



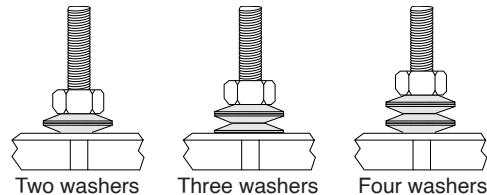
INSTALLATION INSTRUCTIONS

Read installation instructions first before installing. Check parts to ensure that no damage has occurred during transit and that no parts are missing. Also check the diameter of the pipe and the range marked on the clamp to ensure you have the proper size.

LIMITATIONS: For product limitations see reverse side. For more detailed information see the HDPE Products section of the Romac Product Catalog, or phone Romac Engineering Department at 1-800-426-9341.

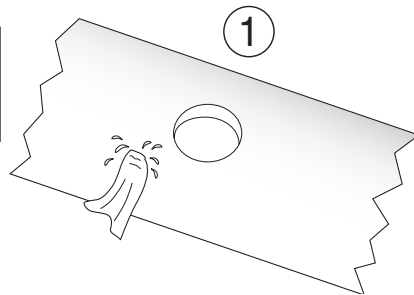
Style BP Stainless Steel Sewer Saddle for HDPE

Spring Washers must be installed in these configurations

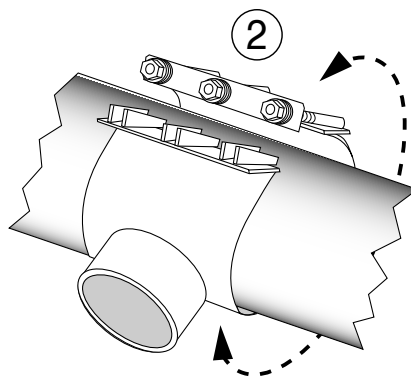


Step 1 • Thoroughly clean pipe surface that will be covered by the saddle. Cut a hole in the pipe for the branch. The hole should be slightly larger than the branch OD. The BP sewer saddle is designed so that the branch intersects the pipe wall and keeps the saddle from moving on the pipe due to expansion and contraction of the HDPE pipe.

BRANCH ODs	
4"	4.50"
6"	6.63"

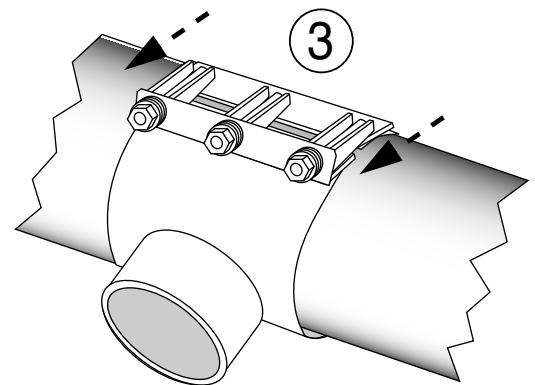


Step 2 • Back off nut to the end of the bolt – DO NOT REMOVE. Separate the ends of the saddle and position the branch over the hole that had already been cut in the pipe (see Step 1).

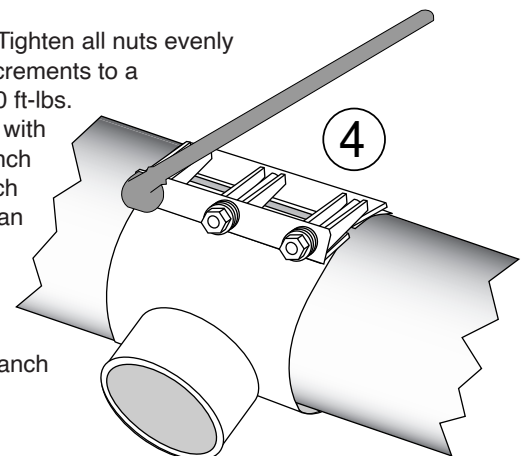


NOTE: For larger sizes, it may be necessary to remove the spring washer so that the lifter bar can snap into place over the sidebar edge. In this event, after removing the spring washers, replace two of the nuts and snap lifter bar in place as per the instructions. Tighten the two nuts until the third bolt has room to install the spring washers and nut, tighten the third nut until the other two bolts have room for the spring washer and nuts and finish tightening per instructions.

Step 3 • Slide lifter bar up the receiver lug profile and snap into place over the sidebar edge. Make sure the gasket has seated itself flat onto the pipe face.



Step 4 • Tighten all nuts evenly in 20 ft-lbs. increments to a minimum of 40 ft-lbs. Use a wrench with at least a 12 inch handle. Branch connections can be made with conventional coupling devices depending on branch material.



Note:
40 ft-lbs. torque =
12" wrench
w/40 lbs. force

For best results, wait 10 minutes and then re-tighten to proper torque.

Backfill and compact carefully around saddle and service line.

Style BP Sewer Saddle

PRECAUTIONS

1. Check diameter of main and branch pipe to make sure you are using the correct size saddle.
2. Remove as much dirt and corrosion from pipe surfaces as possible.
3. Make sure no foreign materials lodge between saddle gasket and pipe as nuts are tightened.
4. Avoid loose fitting wrenches or wrenches too short to achieve proper torque.
5. Backfill and compact carefully around branch.
6. The hole cut in the main should not be any larger than 5.00" for the 4" outlet and 7.00" for the 6" outlet.
7. When reinstalling parts with stainless steel hardware there may be a loss in pressure holding ability due to worn or damaged threads during the original installation

COMMON INSTALLATION PROBLEMS

1. Bolts are not tightened to the proper torque.
2. Rocks or debris cutting gasket.
3. Dirt on threads of bolts or nuts.
4. Installing in the heat of the day.
5. Not cutting a hole in the pipe for the branch before installing the BP saddle.
6. Receiver lugs are pinned against the edge of the shell, instead of overlapping.

PRODUCT LIMITATIONS

High Density Polyethylene Pipe (HDPE) has a lower modulus of elasticity and higher coefficient of thermal expansion than other pipe materials. These properties cause HDPE pipe to expand and contract much more from changes in temperature and/or pressure than other piping materials. Because of these and other properties, great care must be taken when installing conventional fitting on HDPE.

This product has been provided with the proper number of spring washers for the conditions described in the following limitations.

HDPE LIMITATIONS:

- Pipe must be manufactured in accordance with AWWA Standard C906-90.
- Operating temperatures are limited to 85° F maximum and 32° F minimum.
- Operating pressure is limited to 30 psi or the rating of the pipe, whichever is less.
- Pipe systems must be designed to compensate for pipe movement so as to prevent fittings from migrating or rotating on the pipe.
- Products are intended for use in underground service only.



ROMAC CANNOT WARRANT PRODUCTS USED IN APPLICATIONS THAT ARE OUTSIDE ONE OR MORE OF THESE LIMITATIONS. CONTACT ROMAC'S ENGINEERING DEPARTMENT AT 1-800-426-9341 IF YOU HAVE QUESTIONS ABOUT THE USE OF OUR PRODUCTS ON HDPE PIPE.

HDPE PRECAUTIONS:

Try always to install fittings when pipe is at its coldest. Be sure that spring washers are stacked properly (see drawing at right).

This product is designed for a 53° F temperature range maximum.

