

# STYLE LSS2 & LSS3 SEWER CLAMP COUPLING



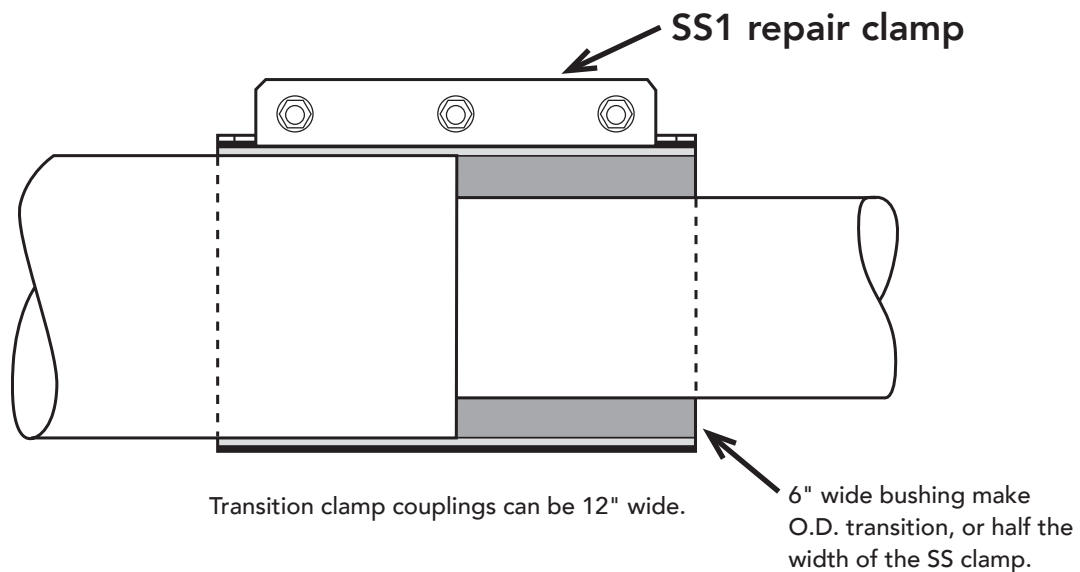
(DOUBLE & TRIPLE SECTIONS)  
SIZES 14" AND LARGER

| NOMINAL PIPE SIZE | O.D. SIZE RANGE | APPROXIMATE USE                             | CATALOG NUMBER    | LIST PRICE<br>WEIGHT |
|-------------------|-----------------|---|-------------------|----------------------|
| 15" to 16"        | 14.90 - 15.70   | PVC, Clay &<br>A/C (CL1500, CL2400, CL3300) | LSS2 - 15.70 x 12 | \$ 1,737.54          |
|                   | 17.10 - 17.90   |   | LSS2 - 17.90 x 12 | 22.2 #               |
| 18"               | 18.30 - 19.10   | PVC, C.I. & Clay                            | LSS2 - 19.10 x 12 | 1,903.56             |
|                   | 19.10 - 19.90   |   | LSS2 - 19.90 x 12 | 26.7 #               |
|                   | 20.65 - 21.45   |   | LSS2 - 21.45 x 12 |                      |
| 21"               | 21.45 - 22.25   | PVC, C.I. & Clay                            | LSS2 - 22.25 x 12 | 2,106.06             |
|                   | 24.20 - 25.00   |   | LSS2 - 25.00 x 12 | 28.5 #               |
| 24"               | 24.70 - 25.90   | PVC, Concrete, C.I. & Clay                  | LSS3 - 25.90 x 12 | 3,064.83             |
|                   | 25.50 - 26.70   |   | LSS3 - 26.70 x 12 | 30.4 #               |
|                   | 27.35 - 28.55   |   | LSS3 - 28.55 x 12 |                      |

**TO ORDER:** Specify catalog number.  
Sizes and lengths not listed are available on request.

Other gasket ranges and larger sizes are available.  
See pages 2-4 through 2-6.

## TRANSITION CLAMP COUPLING FOR SEWER



### BUSHINGS ARE SPECIAL ORDER ONLY

**TO ORDER:** Contact Romac Engineering with the following:

- Type of pipe and outside diameters of each end to be joined
- Working pressure

Price on application.

Bushings are to be used  
with SS Clamps on pages  
2-4 through 2-6.