



STYLE LSS1 LIGHTWEIGHT REPAIR CLAMP

MATERIAL SPECIFICATIONS

- SHELLS AND LUGS:** Stainless steel per ASTM A240, type 304.
- BOLTS:** UNC rolled thread, 304 stainless steel.
- NUTS:** Stainless steel per ASTM A194, type 304. Coated to prevent galling.
- WASHERS:** Stainless steel, type 304 and plastic lubricating washers.
- GASKETS:** SBR per ASTM D2000 MAA 610, compounded for water and sewer service. Other compounds available on request.



LSS1-5.14 X 12" REPAIR CLAMP

NUMBER OF BOLTS PER CLAMP LENGTH							
O.D. RANGE	4"	6"	8"	10"	12"	16"	20"
All Sizes	1	2	2	3	3	4	5

NOM. PIPE SIZE	O.D. SIZE RANGE	CATALOG NUMBER	PRICE / WEIGHT									
			4"	6"	8"	10"	12"	16"	20"			
2"	2.13	LSS1-2.13 x length										
	2.38 - 2.63 2.62 - 2.87	LSS1-2.63 x length ¹ LSS1-2.87 x length ¹	\$85.53 3 #	\$151.63 3 #	\$207.71 4 #	\$288.91 4 #	\$345.44 4 #	\$371.99 8#	NA			
2½"	2.87 - 3.12	LSS1-3.12 x length ¹	96.24 3 #	158.31 3 #	215.87 4 #	300.78 4 #	353.43 5 #	382.95 8#	NA			
3"	3.45 - 3.70 3.75 - 4.00	LSS1-3.70 x length ¹ LSS1-4.00 x length ¹	107.34 3 #	183.40 4 #	226.54 4 #	313.09 4 #	366.88 5 #	414.25 9#	531.4 13#			
	3½"	3.95 - 4.20	LSS1-4.20 x length ¹	109.42 3 #	192.56 4 #	243.96 4 #	331.35 5 #	386.28 6 #	431.62 10#	561.6 14#		
4"	4.00 - 4.40 4.45 - 4.85 4.74 - 5.14 4.95 - 5.35 5.20 - 5.60	LSS1-4.40 x length LSS1-4.85 x length LSS1-5.14 x length LSS1-5.35 x length LSS1-5.60 x length	—	204.78 4 #	255.54 4 #	348.22 6 #	405.84 7 #	451.31 11#	684.48 14#			
	6"	5.95 - 6.35 6.25 - 6.65 6.60 - 7.00 6.84 - 7.24 7.05 - 7.46 7.40 - 7.80	LSS1-6.35 x length LSS1-6.65 x length LSS1-7.00 x length LSS1-7.24 x length LSS1-7.46 x length LSS1-7.80 x length	—	254.93 5.5#	305.84 6 #	433.97 8 #	488.29 8 #	538.46 12#	812.29 15#		
		8"	8.00 - 8.40 8.30 - 8.70 8.60 - 9.00 9.00 - 9.40 9.30 - 9.70	LSS1-8.40 x length LSS1-8.70 x length LSS1-9.00 x length LSS1-9.40 x length LSS1-9.70 x length	—	299.38 6#	358.26 7 #	474.62 9 #	575.01 10 #	657.06 13#	930.83 17#	
			10"	10.15 - 10.55 10.40 - 10.80 11.00 - 11.40 11.55 - 11.95 11.95 - 12.23	LSS1-10.55 x length LSS1-10.80 x length LSS1-11.40 x length LSS1-11.95 x length LSS1-12.23 x length	—	371.34 8#	453.20 7 #	596.14 9 #	711.02 10 #	817.03 20#	1,090.91 24#
				12"	12.15 - 12.55 12.40 - 12.80 13.15 - 13.55 13.80 - 14.20 14.20 - 14.60	LSS1-12.55 x length LSS1-12.80 x length LSS1-13.55 x length LSS1-14.20 x length LSS1-14.60 x length	—	435.25 9#	514.53 12 #	682.38 14 #	824.06 16 #	931.82 22#

¹ .25" Range

For sizes 14" - 24" see page 7-8.

Other gasket ranges and larger sizes are available.
See pages 2-4 through 2-6.

TO ORDER: Specify catalog number x length of clamp.

EXAMPLE: For a one-section clamp for pipe with an O.D. between 4.74 and 5.14 and clamp length of 12", order **LSS1 - 5.14 x 12"**.

STYLE LSS2 & LSS3 SEWER CLAMP COUPLING



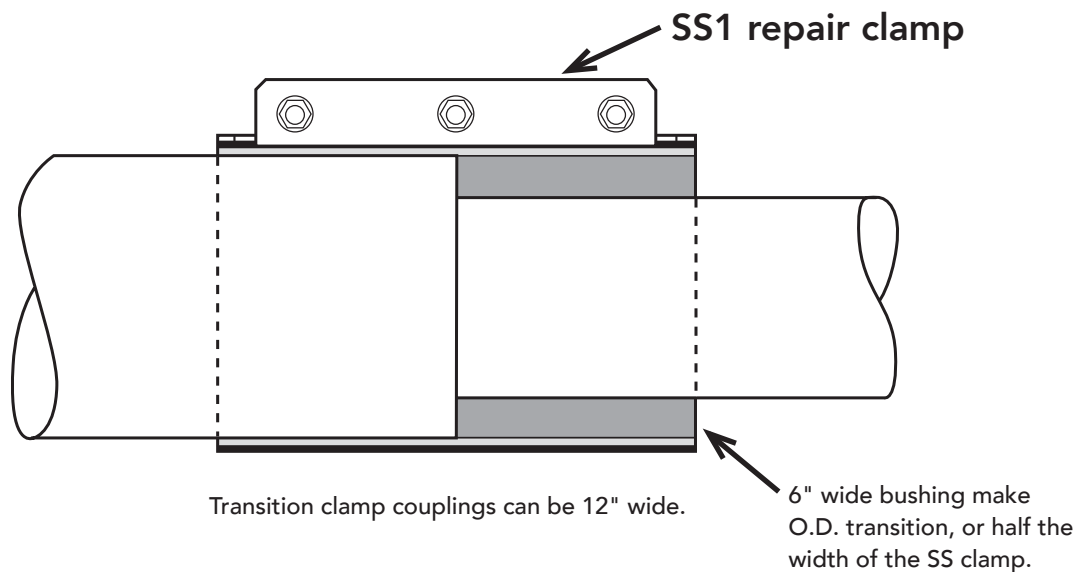
(DOUBLE & TRIPLE SECTIONS)
SIZES 14" AND LARGER

NOMINAL PIPE SIZE	O.D. SIZE RANGE	APPROXIMATE USE	CATALOG NUMBER	LIST PRICE WEIGHT
15" to 16"	14.90 - 15.70	PVC, Clay & A/C (CL1500, CL2400, CL3300)	LSS2 - 15.70 x 12	\$ 1,737.54
	17.10 - 17.90		LSS2 - 17.90 x 12	22.2 #
18"	18.30 - 19.10	PVC, C.I. & Clay	LSS2 - 19.10 x 12	1,903.56 26.7 #
	19.10 - 19.90		LSS2 - 19.90 x 12	
	20.65 - 21.45		LSS2 - 21.45 x 12	
21"	21.45 - 22.25	PVC, C.I. & Clay	LSS2 - 22.25 x 12	2,106.06 28.5 #
	24.20 - 25.00		LSS2 - 25.00 x 12	
24"	24.70 - 25.90	PVC, Concrete, C.I. & Clay	LSS3 - 25.90 x 12	3,064.83 30.4 #
	25.50 - 26.70		LSS3 - 26.70 x 12	
	27.35 - 28.55		LSS3 - 28.55 x 12	

TO ORDER: Specify catalog number.
Sizes and lengths not listed are available on request.

Other gasket ranges and larger sizes are available.
See pages 2-4 through 2-6.

TRANSITION CLAMP COUPLING FOR SEWER



BUSHINGS ARE SPECIAL ORDER ONLY

TO ORDER: Contact Romac Engineering with the following:

- Type of pipe and outside diameters of each end to be joined
- Working pressure

Price on application.

Bushings are to be used
with SS Clamps on pages
2-4 through 2-6.