

ROMAC DUCTILE LUG

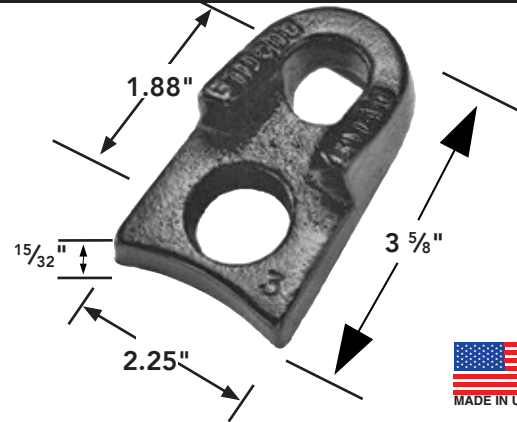
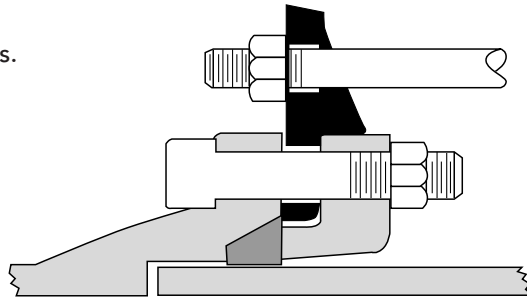


MATERIAL SPECIFICATIONS

LUG: Ductile iron per ASTM A536, Grade 65-45-12.

USE: Restraint of MJ fittings 4" – 24". Accommodates 3/4" rod.

MAX. LOAD: 7,500 lbs.



CATALOG NUMBER	APPROX. WEIGHT (lbs.)	LIST PRICE
Ductile Lug	.844 #	\$7.49

90° EYE BOLT

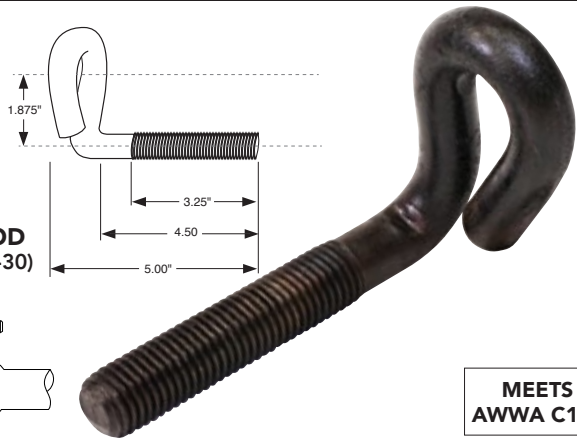
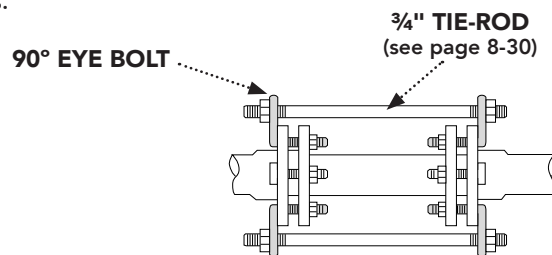
MATERIAL SPECIFICATIONS

EYE BOLT: 3/4" UNC rolled thread, high strength, low alloy steel per AWWA C111 (Corten or Mayari-R).

NUT AND WASHER: 3/4" heavy hex, high strength low alloy steel.

USE: Restraint of MJ fittings 4" – 24". Accommodates 3/4" rod.

MAX. LOAD: 7,500 lbs.



MEETS AWWA C111

ITEM	CATALOG NUMBER	LIST PRICE EACH PER QUANTITY					APPROX. WEIGHT (lbs.)
		1-200	400	600	800	1000	
3/4" Eye-Bolts	EYE-3/4	\$19.71	\$19.58	\$19.45	\$19.26	\$19.01	1.08 # / ea.
3/4" Nuts	HH-3/4	3.11	3.00	2.90	2.76	2.63	.70 # / ea.
3/4" Washers	WASHER-3/4	2.76	2.58	2.58	2.46	2.30	.20 # / ea.

TO ORDER: Specify catalog number.