

DECHLORINATOR

Transmate



MATERIAL SPECIFICATIONS

Aluminum, brass valves and stainless steel fasteners.

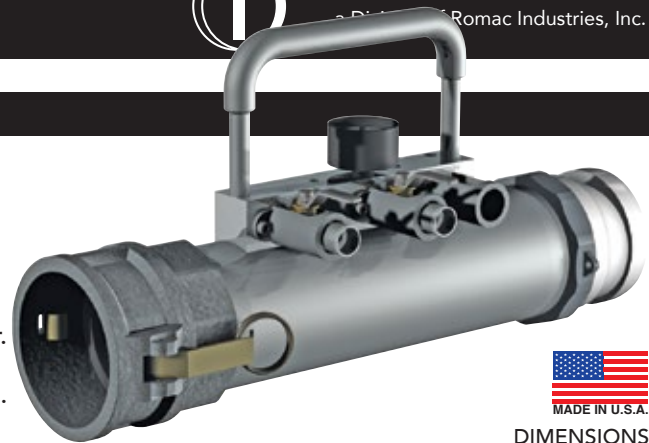
CONNECTION INLET: Type A cam and groove hydrant adapter (FNST) and Type D cam and groove adapter. Other hydrant adapters available on request.

CONNECTION OUTLET: Type A and D cam and groove adapter.

PORTING CONNECTIONS: 1/4" valves with quick disconnects.

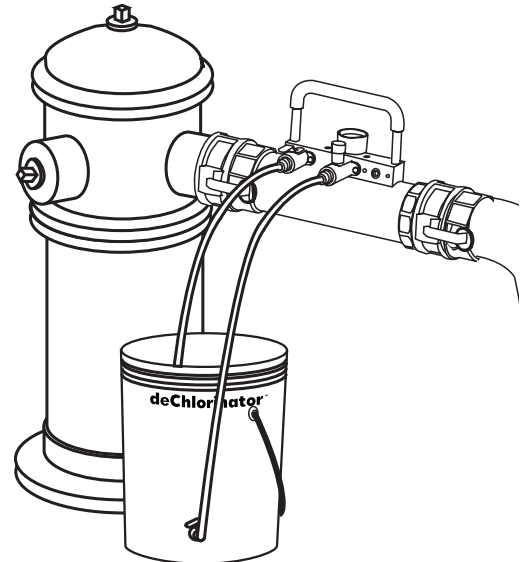
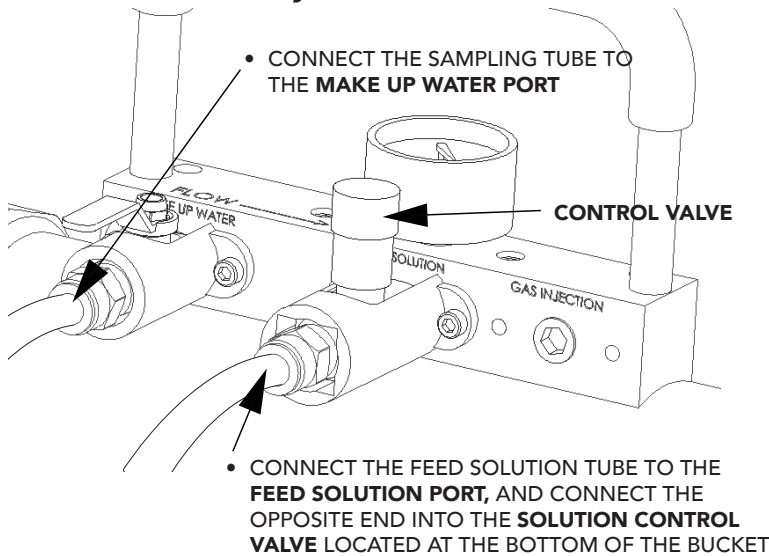
REAGENTS: Can use all commonly available disinfection and dechlorination reagents.

FLOWS: 200 - 900 GPM



DIMENSIONS
 LENGTH - 16 3/8"
 WEIGHT - 9.3 LBS.

Connections are easy ...



Why Dechlorinate?

- Quickly dechlorinates and neutralizes pH of release water.
- Allows water utilities to meet regulations for residual chlorine concentration in released water.
- Enables contractors to quickly flush highly concentrated chlorinated water in new construction situations.
- Helps meet EPA, CWA, and SDWA legislation for released water entering receiving streams.

VITA-D-CHLOR FEED SOLUTION AND MIXING AND FEED SOLUTION VALVE SETTINGS

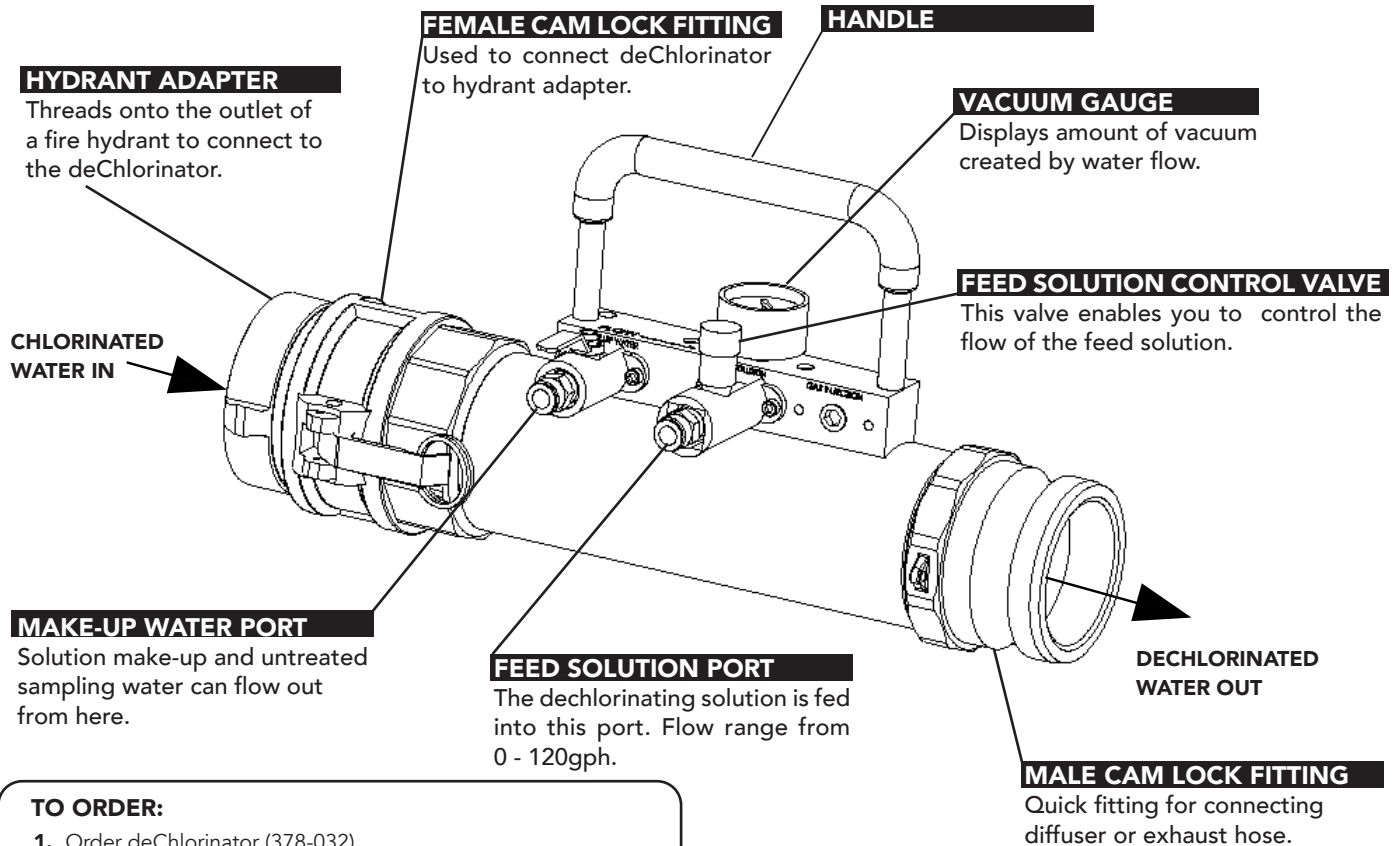
IF CHLORINE VALUE (ppm, mg/l)	THEN ADD... VITA-D-CHLOR CUPS PER 5 GAL WATER	SET CONTROL VALVE ON... FOR MAXIMUM CHLORINE
0 - .5	1/4 cup	2 Turns Open
.5 - 1	1/2 cup	2 Turns Open
1 - 1.5	1/2 cup	3 Turns Open
1.5 - 10	5 cups	2 Turns Open
10 - 30	15 cups	2 Turns Open
30 - 50	15 cups	3 Turns Open
50 - 150	25 cups	Full open
150 - 200	34 cups	Full open

Transmate



a Division of Romac Industries, Inc.

DECHLORINATOR



TO ORDER:

1. Order deChlorinator (378-032).
2. Order 3" Discharge Hose (378-06-03).
3. Order Diffuser (378-05-03).
4. Order Accessories (optional).
5. Order Analyzers (color wheel or test strips).
6. Order Analyzer reagents.
Determine whether the system is "free" or "total".
Free = chlorine only, total = chlorine & ammonia.
7. Order dechlorinating chemicals.
Vita-D-Chlor™ if you're dechlorinating only.
Vita-D-Chlor™ neutral if the pH levels need to be maintained.

ITEM NUMBER	DESCRIPTION	LIST PRICE
378-032	DC, Dechlorinator Kit 3" with 2" venturi Included with DC Kit:	\$4,662.10
378-030-17	Carrying Bucket	included
378-030-06	Male x Fire Hydrant Camlock Adapter	included
378-02-2	Test Strips	included
378-01-01-4	Dechlorinating Chemical (one cup)	included
378-030-10	Tubing (2 tubes, 4 feet long)	included
378-032M	deChlorinator Unit	included
ACCESSORIES		
378-05-03	Diffuser	1,083.88
378-06-03	3" Discharge Hose (20ft. long w/camlock fittings)	343.01
CHLORINE TEST KITS & STRIPS		
378-02-1	Hach (Free & Total), Range 0-3.4 PPM, Method: Powder Pillow (DPD)/Color Disc, Qty: 100 Tests	228.30
378-02-2	Hach (Free & Total), Range 0-10.0 PPM, Method: Test Strips, Qty: 50 Tests	82.67
378-02-3	Hach (Total only), Range 10-200 PPM, Method: Drop Count Titration, Qty: 100	237.61

ITEM NUMBER	DESCRIPTION	LIST PRICE
ANALYZER REAGENTS		
378-03-1	Hach DPD Free Chlorine 100 5ml Pillows	POA
378-03-2	Hach DPD Total Chlorine 100 5ml Pillows	POA
378-04-1	DPD Dispenser for Free Chlorine 10ml (250 doses)	POA
378-04-2	DPD Dispenser for Total Chlorine 10ml (250 doses)	POA
DECHLORINATION GRANULATED CHEMICALS		
Vita-D-Chlor™ (Ascorbic Acid, NSF)		
378-01-01-1	2.5 kg (5.5 lbs.)	POA
378-01-01-2	12 kg (26.4 lbs.)	POA
378-01-01-3	25 kg (55 lbs.)	POA
VITA-D CHLOR & SOCKS		
Vita-D-Chlor™, Neutral (Sodium Ascorbate, NSF)		
378-01-02-1	2.5 kg (5.5 lbs.)	POA
378-01-02-2	12 kg (26.4 lbs.)	POA
378-01-02-3	25 kg (55 lbs.)	POA
Vita-D-Chlor™, Tablet Sock (Coarse or Fine) (24" sock for holding tablets)		
378-01-04-1	Coarse	POA
378-01-04-2	Fine	POA
Vita-D-Chlor™, Tablets Treats 8500 gallons per tablet (85g of Ascorbic Acid per 2 5/8" tablet)		
378-01-03-1	6 tablets	POA
378-01-03-2	20 tablets	POA
378-01-03-3	40 tablets	POA

TRANSMATE