

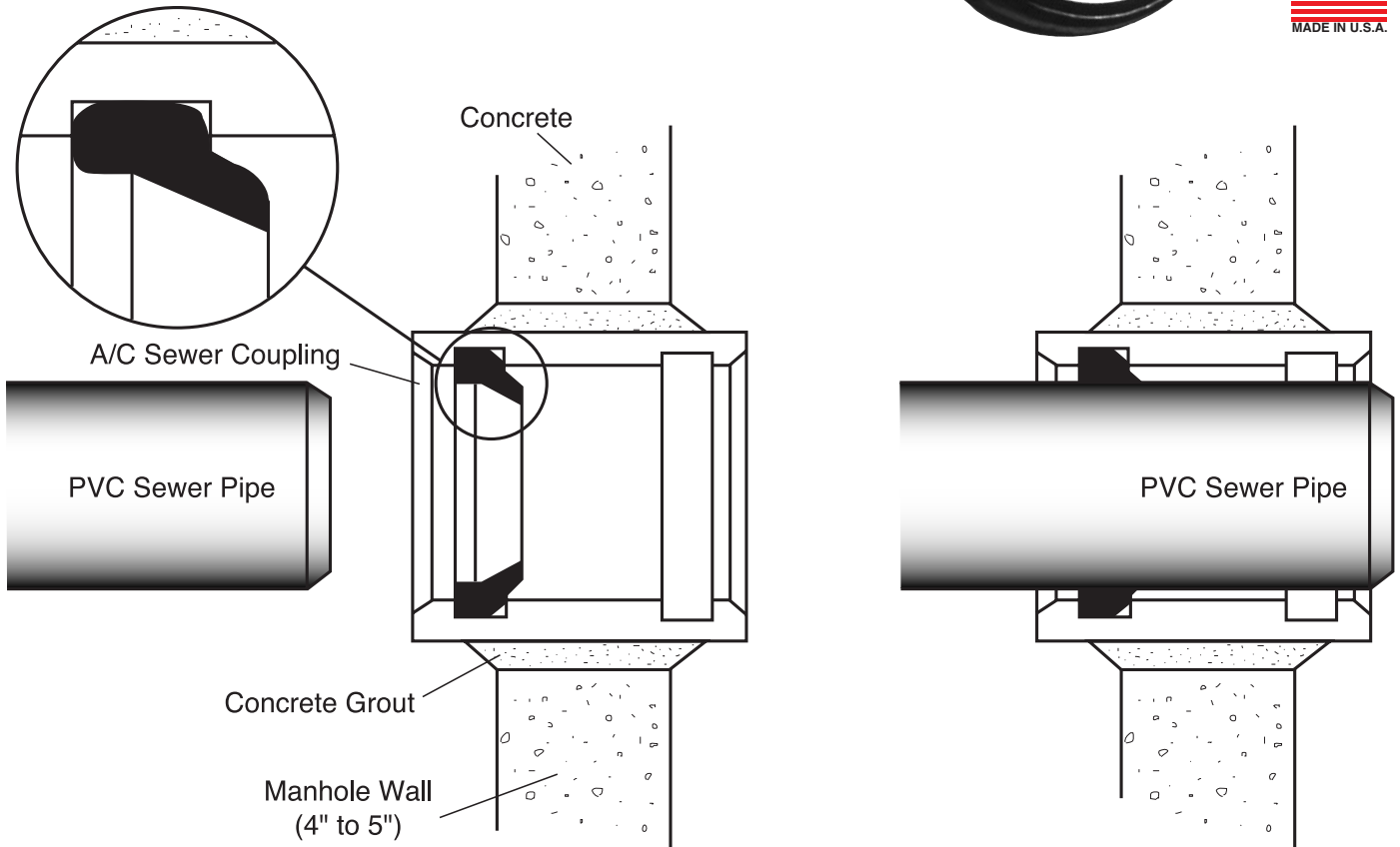


A/C X PVC SEWER ADAPTER GASKET

MATERIAL SPECIFICATIONS

GASKET: SBR per ASTM D2000 MBA 710, compounded for water and sewer service. Other compounds available on request.

USE: The gasket is designed to be used in an A/C sewer coupling to adapt PVC sewer pipe to the coupling. The coupling is grouted in a sewer manhole wall.



NOMINAL PIPE SIZE	CATALOG NUMBER	APPROXIMATE WEIGHT (lbs.)	LIST PRICE
4"	4" AC X PVC Sewer Gasket	.20#	\$ 25.02
6"	6" AC X PVC Sewer Gasket	.25#	28.59
8"	8" AC X PVC Sewer Gasket	.45#	42.06

TO ORDER: Specify catalog number.

Manufactured with Domestic and Import material. For Domestic requirements please contact our Quotations Department.

JANUARY 10, 2022